

Raiden IP66 30KLM 840 Symmetric Wide

Item No: 2824072

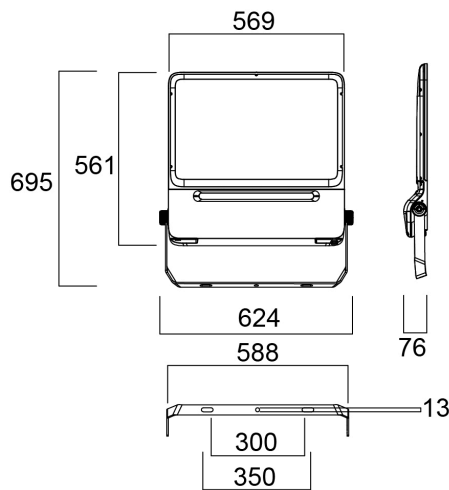
Concord



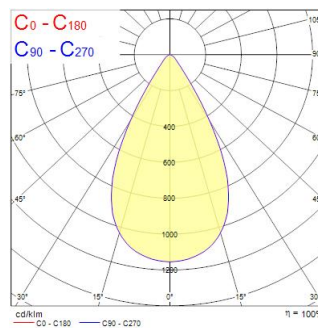
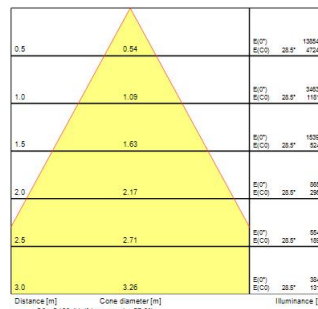
Outdoor and indoor floodlight range with in house design, comes complete with 1m flying lead and adjustable bracket, aluminium housing, RAL 9022 - Pearl light grey, clear glass diffuser, IP66, IK08, Class I, 4000K, Non-dimming, 30000lm, 221W, 136lm/W, CRI80, Symmetric Wide beam angle 60°, 100000 hrs L90B50 lifespan, 561x569x76mm (LxWxH) dimensions, 12.5kg weight. Ball-impact-resistance according to DIN57710-13 VDE 0710 13/5.81, DIN 18032-3 only with the separate wire guard accessory fitted.

Technical Assets

Dimensions (mm)



Photometrics



Raiden IP66 30KLM 840 Symmetric Wide

Item No: 2824072

Concord

General data

Product name	Raiden IP66 30KLM 840 Symmetric Wide
Technology	LED
Cap/Base	N/A
Housing	Aluminium
General application	Logistics & Industry
Operating temperature range (°C)	-40°C...+50°C
Performance ambient temperature Tq (°C)	25
ETIM Class	EC001744
Warranty	5 years

Optical data

Fixture luminous flux (lm)	30000
Luminaire efficacy (lm/W)	136
Correlated colour temperature (k)	4000
Light colour	Neutral White
CRI (Ra)	80
Colour Variation Initial (SDCM)	SDCM3
Beam Angle (°)	60
Photobiological Risk Group	RG1

Electrical data

Total power consumption (W)	221
Primary Supply/Product voltage - min (V)	220
Primary Supply/Product voltage - max (V)	240
Lamp power factor	0.95
THD (at 230 V, 50 Hz, full load, at 100% dimming level) ≤ xx.x %	20
Electrical protection	Class I
Control gear required	No
Dimmable	No
Dimming method	N/A
Drive current (mA)	4550
Inrush Current (A)	120
Inrush Duration (µs)	200
Energy Efficiency Class (A->G) of contained light source	E
Nominal Frequency (Hz)	50/60Hz
Max. products per 10A C Breaker	5
Max. products per 13A C Breaker	6
Max. products per 16A C Breaker	9
Max. products per 20A C Breaker	10
Max. products per 10A B Breaker	3
Max. products per 13A B Breaker	4
Max. products per 16A B Breaker	5
Max. products per 20A B Breaker	6
Mains surge immunity (differential mode -> L-N) (kV)	6
Mains surge immunity (common mode -> L/N - GND) (kV)	10

Lifetime data

Lifespan L70 B50	100000
Lifespan L80 B20	94000
Lifespan L90 B50	100000

Raiden IP66 30KLM 840 Symmetric Wide

Item No: 2824072

Concord

Physical data

Housing colour	RAL 9022 - Pearl light grey
IP rating	IP66
IK rating	IK08
Nominal Product Length (mm)	561
Nominal Product Width (mm)	569
Nominal Product Height (mm)	76
Weight (kg)	12.5

Packaging

Product EAN number	5025768240722
Packaging single length / height (cm)	63.0
Packaging single width (cm)	63.0
Packaging single depth (cm)	14.0
DUN14 (inner)	05025768240722
Units per outer package	1
Packaging outer length / height (cm)	63.0
Packaging outer width (cm)	63.0
Packaging outer depth (cm)	14.0

Safety data

Glow Wire Test (°C)	850
Optimal operating condition (°C)	-40-50