

INST ECO KIT LED ADJ WH 36° NW

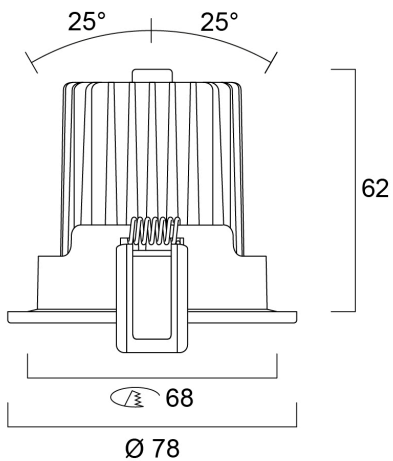
Item No: 3079353



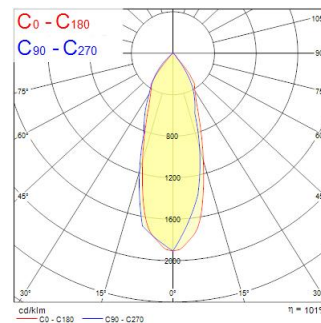
25° tiltable, IP23 (from the front) Accent downlight perfect for 50W Halogen retrofits. Optimal solution in size and luminous efficiency for hospitality and accent and display lighting applications with a 36° beam and 515 lumen output. The downlight provides 4000K CCT and also comes including a non dimmable driver.

Technical Assets

Dimensions (mm)



Photometrics



INST ECO KIT LED ADJ WH 36° NW

Item No: 3079353

General data

Product name	INST ECO KIT LED ADJ WH 36° NW
Technology	LED
Housing	Aluminium
Mount	Ceiling recessed mounting
Environment	Indoor
General application	Hospitality
Performance ambient temperature Tq (°C)	25
ETIM Class	EC001744
E-number FI	4271069
E-number SE	7467083
Warranty	3 years

Optical data

Fixture luminous flux (lm)	515
Luminaire efficacy (lm/W)	51.5
LOR (%)	100
Correlated colour temperature (k)	4000
Light colour	Neutral White
CRI (Ra)	83
Colour Consistency (SDCM)	5
Adjustable chromaticity	N
Beam Angle (°)	36
Distribution type	Direct

Electrical data

Total power consumption (W)	10
Electrical protection	Class II
Control gear type	Electronic ballast
Dimming method	N/A
Drive current (mA)	800

Physical data

Housing colour	White
IP rating	IP23/20
IK rating	IK02
Diffuser finish	Transparent
Diffuser material	Other
Nominal Product Length (mm)	78
Nominal Product Width (mm)	78
Nominal Product Height (mm)	62
Nominal Product Diameter (mm)	78
Weight (kg)	0.328
Recessed Depth (mm)	110

Packaging

Product EAN number	8711971793533
Packaging single length / height (cm)	15.1
Packaging single width (cm)	11.4
Packaging single depth (cm)	9.1
DUN14 (inner)	18711971793530
Units per outer package	20
Packaging outer length / height (cm)	47.9
Packaging outer width (cm)	24.4
Packaging outer depth (cm)	31.9