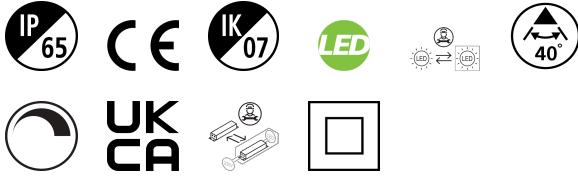


# Inverto Dir/Ind NW 1-10V White

Item No: 3080042

**SYLVANIA**

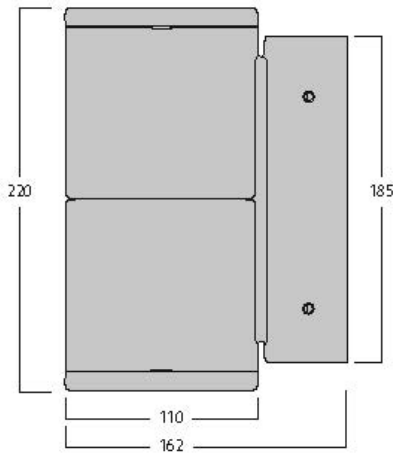
**PRO**<sup>TM</sup>



Surface Wall mounted direct / indirect luminaire, wire to base with pluggable connection for easy installation, suitable for looping, white coloured aluminium housing, 3233lm (2 x 1616lm), 30W, 107lm/W, 4000K, 350mA, CRI:80, 40° beam Angle, 1-10V dimmable, IP65, IK07, lifespan: 60,000hrs (L80:B20), 23.00x32.2x11.5mm.

## Technical Assets

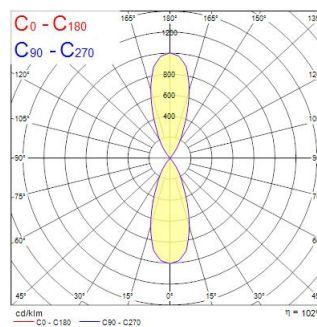
### Dimensions (mm)



### Photometrics

Distance [m]	Cone diameter [m]	E107	E107	E107
0.5	0.36	8103	8103	13303
1.0	0.72	2026	2026	3281
1.5	1.08	1446	1446	854
2.0	1.44	1085	1085	503
2.5	1.80	814	814	293
3.0	2.16	611	611	181

Distance [m] Cone diameter [m] Illuminance [lx]  
 C0 - C180 (Half beam angle: 39.6°)



# Inverto Dir/Ind NW 1-10V White

Item No: 3080042

**SYLVANIA**

## General data

Product name	Inverto Dir/Ind NW 1-10V White
Technology	LED
Cap/Base	N/A
Housing	Aluminium
Mount	Wall surface mounted
Environment	Internal/External
General application	Hospitality
Operating temperature range (°C)	-25°C...+25°C
Performance ambient temperature Tq (°C)	25
ETIM Class	EC002892
E-number FI	4579306
E-number SE	7702897
Warranty	5 years

## Optical data

Fixture luminous flux (lm)	3233
Luminaire efficacy (lm/W)	107
LOR (%)	100
Correlated colour temperature (k)	4000
Light colour	Neutral White
CRI (Ra)	80
Colour Consistency (SDCM)	3
Adjustable chromaticity	N
Beam Angle (°)	40
Photobiological Risk Group	RG1

## Electrical data

Total power consumption (W)	30
Primary Supply/Product voltage - min (V)	220
Primary Supply/Product voltage - max (V)	240
Electrical protection	Class II
Control gear type	Electronic ballast
Dimmable	Yes
Dimming method	1-10V (Analogue)
Minimum dimming level (%)	5
Drive current (mA)	350
Inrush Current (A)	45
Inrush Duration (µs)	20
Energy Efficiency Class (A->G) of contained light source	D
Nominal Frequency (Hz)	50/60Hz
Max. products per 10A C Breaker	50
Max. products per 16A C Breaker	80

## Lifetime data

Lifespan L70 B50	60000
Lifespan L80 B20	60000
Lifespan L90 B10	56100

## Physical data

Housing colour	RAL 9016 - Traffic white / Bezel
IP rating	IP65
IK rating	IK07
Diffuser finish	Transparent
Diffuser material	Glass
Nominal Product Length (mm)	162
Nominal Product Width (mm)	110
Nominal Product Height (mm)	220
Weight (kg)	2.444

# Inverto Dir/Ind NW 1-10V White

Item No: 3080042



## Packaging

Product EAN number	8711971800422
Packaging single length / height (cm)	23.0
Packaging single width (cm)	32.3
Packaging single depth (cm)	11.5
DUN14 (inner)	08711971800422
Units per outer package	1
Packaging outer length / height (cm)	23.0
Packaging outer width (cm)	32.3
Packaging outer depth (cm)	11.5

## Safety data

Optimal operating condition (°C)	-25-25
----------------------------------	--------