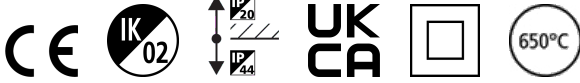


Inset TR SW SQ IP44 INDOOR WH EX-LMP

Item No: 3084104

SYLVANIA

PROTM

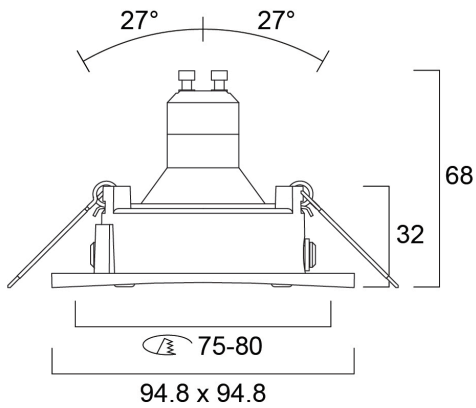


INSET TR SW SQ IP44 INDOOR WH EX-LMP

Technical Assets

Dimensions (mm)

Photometrics



Inset TR SW SQ IP44 INDOOR WH EX-LMP

Item No: 3084104

SYLVANIA

General data

Product name	Inset TR SW SQ IP44 INDOOR WH EX-LMP
Technology	Non - Electrical Device
Type of accessory	Other
Housing	Aluminium
Mount	Ceiling recessed mounting
Environment	Indoor
General application	Hospitality, Residential & Consumer
ETIM Class	EC002557
Warranty	3 years

Optical data

Photobiological Risk Group	Not applicable
----------------------------	----------------

Electrical data

Primary Supply/Product voltage - min (V)	220
Primary Supply/Product voltage - max (V)	240
Electrical protection	Class II

Physical data

Housing colour	White
IP rating	IP44/20
IK rating	IK02
Nominal Product Length (mm)	95
Nominal Product Width (mm)	95
Nominal Product Height (mm)	100
Weight (kg)	0.18

Packaging

Product EAN number	8711971841043
Packaging single length / height (cm)	13.0
Packaging single width (cm)	10.0
Packaging single depth (cm)	8.5
DUN14 (inner)	18711971841040
Units per outer package	30
Packaging outer length / height (cm)	53.0
Packaging outer width (cm)	49.0
Packaging outer depth (cm)	22.0

Safety data

Glow Wire Test (°C)	650
---------------------	-----