

SYLSAFE IP65 ARROW DOWN SIGN

Item No: 9154091

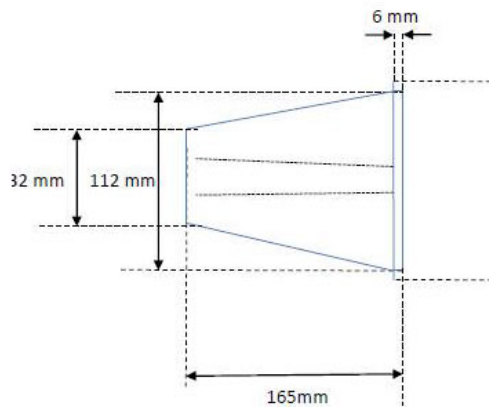
Concord



Arrow Down Sign accessory for maintained SylSafe LED IP65 (EC standard). HxLxW= 165x351x112mm.

Technical Assets

Dimensions (mm)



Photometrics

General data

Product name	SYLSAFE IP65 ARROW DOWN SIGN
Technology	Non - Electrical Device
Housing	Acrylic PMMA
General application	Education, Hospitality, Office, Retail

Physical data

Nominal Product Length (mm)	351
Nominal Product Width (mm)	112
Nominal Product Height (mm)	165
Weight (kg)	0.9

Optical data

Adjustable chromaticity | N

SYLSAFE IP65 ARROW DOWN SIGN

Item No: 9154091

Concord

Packaging

Packaging single length / height (cm)	34.7
Packaging single width (cm)	10.5
Packaging single depth (cm)	21.5
Units per outer package	1
Packaging outer length / height (cm)	34.7
Packaging outer width (cm)	10.5
Packaging outer depth (cm)	21.5