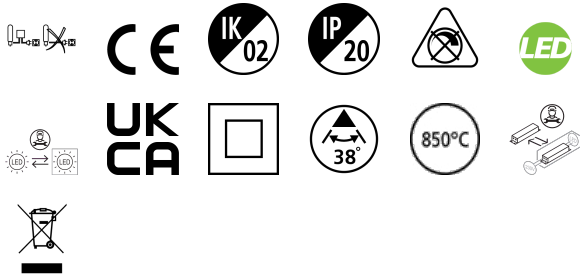


START Track Spot L 4900lm 940 MB Black

Item No: 0004905

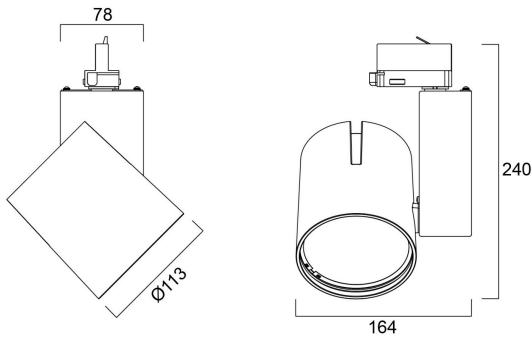
SYLVANIA



Integrated LED spotlight, Textured Black - RAL9005, compact and minimalist design, ideal for retail applications, die-cast aluminium body, passive cooling heatsink. Beam angle: 38°, color temperature: 4000K, total system power: 55W, total fixture output: 4897 lm, LOR: 100%, colour rendering: Ra: 90 typical, LED Chromaticity: 3 step MacAdam ellipse, IR/UV free light source without heat radiation, operating voltage: 220-240V / 50-60Hz, drive current: 1400mA, electronic driver, non-dimmable, power factor: 0.96, electrical protection: Class II, Global Track 3 Phase adapter suitable for Global trac 3-circuit tracks, ingress protection rating: IP20, suitable for internal environment only, horizontal rotation: 355°, vertical tilt: 90°, dimensions: Ø113x164x240, weight: 1.398kg.

Technical Assets

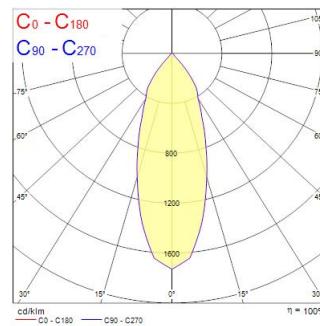
Dimensions (mm)



Photometrics

Distance [m]	Cone diameter [m]	Beam diameter [m]	Illuminance [lx]
0.5	0.34	Ø171	3580
1.0	0.68	Ø342	895
1.5	1.02	Ø513	378
2.0	1.35	Ø684	216
2.5	1.69	Ø855	136
3.0	2.03	Ø1026	81

Distance [m] Cone diameter [m] Illuminance [lx]
 — C0 - C180 (Half beam angle: 37.4°)



START Track Spot L 4900lm 940 MB Black

Item No: 0004905

SYLVANIA

General data

Product name	START Track Spot L 4900lm 940 MB Black
Technology	LED
Cap/Base	N/A
Housing	Aluminium
Mount	Track mounting
Fixture rating	Enclosed
General application	Retail
Operating temperature range (°C)	1°C...+25°C
Performance ambient temperature Tq (°C)	25
ETIM Class	EC001744
E-number SE	7401846
Warranty	5 years

Optical data

Fixture luminous flux (lm)	4897
Luminaire efficacy (lm/W)	89
LOR (%)	100
Correlated colour temperature (k)	4000
Light colour	Neutral White
CRI (Ra)	90
Colour Variation Initial (SDCM)	SDCM3
Beam Angle (°)	38
Photobiological Risk Group	RG1

Electrical data

Total power consumption (W)	55
Supply current (A)	0.23
Primary Supply/Product voltage - min (V)	230
Primary Supply/Product voltage - max (V)	240
Lamp power factor	0.96
THD (at 230 V, 50 Hz, full load, at 100% dimming level) ≤ xx.x %	15.1
Electrical protection	Class II
Control gear required	Yes
Control gear type	Electronic ballast
Control gear mounting	Integral
Dimmable	No
Dimming method	N/A
Drive current (mA)	1400
Inrush Current (A)	12
Inrush Duration (µs)	50
Energy Efficiency Class (A->G) of contained light source	E
Nominal Frequency (Hz)	50/60Hz
LED Flickering Rate	Ultra low (5% or less)
Max. products per 10A C Breaker	25
Max. products per 13A C Breaker	35
Max. products per 16A C Breaker	45
Max. products per 20A C Breaker	55
Max. products per 10A B Breaker	20
Max. products per 13A B Breaker	35
Max. products per 16A B Breaker	45
Max. products per 20A B Breaker	55

START Track Spot L 4900lm 940 MB Black

Item No: 0004905

SYLVANIA

Lifetime data

Lifespan L70 B50	100000
Lifespan L70 B20	100000
Lifespan L70 B10	100000
Lifespan L80 B50	100000
Lifespan L80 B20	100000
Lifespan L80 B10	79500
Lifespan L90 B50	69500
Lifespan L90 B20	54500
Lifespan L90 B10	47500

Physical data

Housing colour	RAL 9005 - Jet black
IP rating	IP20
IK rating	IK02
Diffuser finish	Transparent
Diffuser material	PC Polycarbonate
Reflector finish	High-gloss
Nominal Product Width (mm)	164
Nominal Product Height (mm)	240
Nominal Product Diameter (mm)	113
Weight (kg)	1.398

Packaging

Product EAN number	5410288049052
Packaging single length / height (cm)	25.0
Packaging single width (cm)	19.5
Packaging single depth (cm)	20.0
DUN14 (inner)	05410288049052
Units per outer package	1
Packaging outer length / height (cm)	25.0
Packaging outer width (cm)	19.5
Packaging outer depth (cm)	20.0

Safety data

Glow Wire Test (°C)	850
Optimal operating condition (°C)	1-25
Dry applications use only	Yes