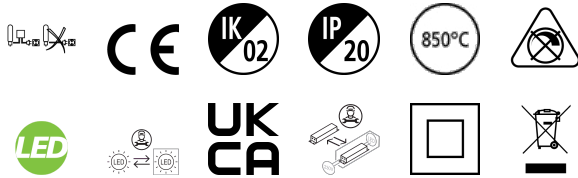


# START Track Spot L 4800lm 940 WB BLK

Item No: 0004906

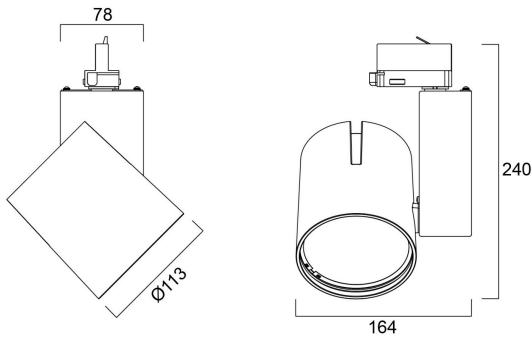
**SYLVANIA**



Integrated LED spotlight, Textured Black - RAL9005, compact and minimalist design, ideal for retail applications, die-cast aluminium body, passive cooling heatsink. Beam angle: 52°, color temperature: 4000K, total system power: 55W, total fixture output: 4824 lm, LOR: 100%, colour rendering: Ra: 90 typical, LED Chromaticity: 3 step MacAdam ellipse, IR/UV free light source without heat radiation, operating voltage: 220-240V / 50-60Hz, drive current: 1400mA, electronic driver, non-dimmable, power factor: 0.96, electrical protection: Class II, Global Track 3 Phase adapter suitable for Global trac 3-circuit tracks, ingress protection rating: IP20, suitable for internal environment only, horizontal rotation: 355°, vertical tilt: 90°, dimensions: Ø113x164x240, weight: 1.398kg.

## Technical Assets

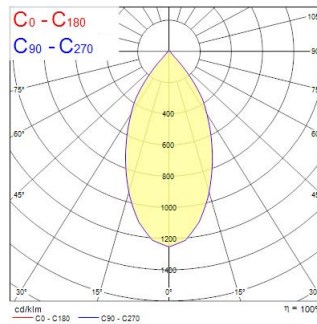
### Dimensions (mm)



### Photometrics

Distance [m]	Cone diameter [m]	Beam diameter [m]	Illuminance [lx]
0.5	0.45	0.27	2187
1.0	0.96	0.57	854
1.5	1.44	0.87	594
2.0	1.93	1.17	454
2.5	2.41	1.47	354
3.0	2.89	1.77	284

Distance [m] Cone diameter [m] Illuminance [lx]  
 — C0 - C180 (Half beam angle: 51.4°)



# START Track Spot L 4800lm 940 WB BLK

Item No: 0004906

**SYLVANIA**

## General data

Product name	START Track Spot L 4800lm 940 WB BLK
Technology	LED
Cap/Base	N/A
Housing	Aluminium
Mount	Track mounting
Fixture rating	Enclosed
General application	Retail
Operating temperature range (°C)	1°C...+25°C
Performance ambient temperature Tq (°C)	25
ETIM Class	EC001744
E-number FI	4274443
E-number SE	7401847
Warranty	5 years

## Optical data

Fixture luminous flux (lm)	4824
Luminaire efficacy (lm/W)	88
LOR (%)	100
Correlated colour temperature (k)	4000
Light colour	Neutral White
CRI (Ra)	90
Colour Variation Initial (SDCM)	SDCM3
Beam Angle (°)	52
Photobiological Risk Group	RG1

## Electrical data

Total power consumption (W)	55
Supply current (A)	0.23
Primary Supply/Product voltage - min (V)	230
Primary Supply/Product voltage - max (V)	240
Lamp power factor	0.96
THD (at 230 V, 50 Hz, full load, at 100% dimming level) ≤ xx.x %	15.1
Electrical protection	Class II
Control gear required	Yes
Control gear type	Electronic ballast
Control gear mounting	Integral
Dimmable	No
Dimming method	N/A
Drive current (mA)	1400
Inrush Current (A)	12
Inrush Duration (µs)	50
Energy Efficiency Class (A->G) of contained light source	E
Nominal Frequency (Hz)	50/60Hz
LED Flickering Rate	Ultra low (5% or less)
Max. products per 10A C Breaker	25
Max. products per 13A C Breaker	35
Max. products per 16A C Breaker	45
Max. products per 20A C Breaker	55
Max. products per 10A B Breaker	20
Max. products per 13A B Breaker	35
Max. products per 16A B Breaker	45
Max. products per 20A B Breaker	55

# START Track Spot L 4800lm 940 WB BLK

Item No: 0004906

**SYLVANIA**

## Lifetime data

Lifespan L70 B50	100000
Lifespan L70 B20	100000
Lifespan L70 B10	100000
Lifespan L80 B50	100000
Lifespan L80 B20	100000
Lifespan L80 B10	79500
Lifespan L90 B50	69500
Lifespan L90 B20	54500
Lifespan L90 B10	47500

## Physical data

Housing colour	RAL 9005 - Jet black
IP rating	IP20
IK rating	IK02
Diffuser finish	Transparent
Diffuser material	PC Polycarbonate
Reflector finish	High-gloss
Nominal Product Width (mm)	164
Nominal Product Height (mm)	240
Nominal Product Diameter (mm)	113
Weight (kg)	1.398

## Packaging

Product EAN number	5410288049069
Packaging single length / height (cm)	25.0
Packaging single width (cm)	19.5
Packaging single depth (cm)	20.0
DUN14 (inner)	05410288049069
Units per outer package	1
Packaging outer length / height (cm)	25.0
Packaging outer width (cm)	19.5
Packaging outer depth (cm)	20.0

## Safety data

Glow Wire Test (°C)	850
Optimal operating condition (°C)	1-25
Dry applications use only	Yes