

# START Track Spot L DALI 3600lm 940 MB BLK

Item No: 0004951

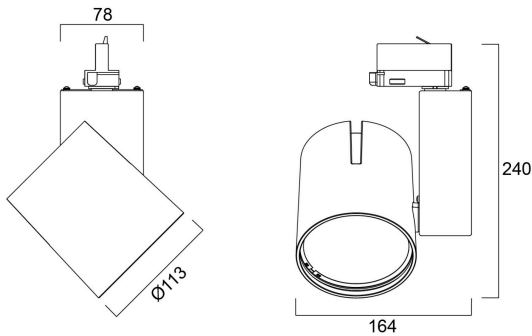
**SYLVANIA**



Spotlight for track mounting, decorative heat sink, black (RAL 9005) housing, equipped with Global GAC69 Pulse Adaptor, 3616 Lm, 36 W, 100 Lm/W, 4000 K, drive current: 900 mA, CRI 90, 38° beam angle, DALI dimmable, IP20, IK02, 50000 hrs, (H x W) 240 x 164 mm.

## Technical Assets

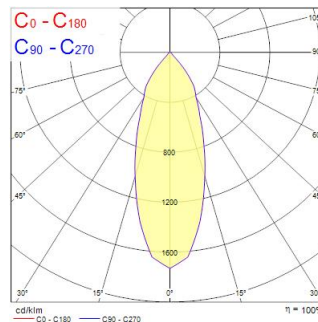
### Dimensions (mm)



### Photometrics

Distance [m]	Cone diameter [m]	Beam diameter [m]	Beam diameter [ft]	Illuminance [lx]
0.5	0.34	1.10'	1.10'	2625
1.0	0.68	2.20'	2.20'	656
1.5	1.02	3.30'	3.30'	281
2.0	1.35	4.40'	4.40'	166
2.5	1.69	5.50'	5.50'	107
3.0	2.03	6.60'	6.60'	72

Distance [m] Cone diameter [m] Illuminance [lx]  
C0 - C180 (Half beam angle: 37.4°)



# START Track Spot L DALI 3600lm 940 MB BLK

Item No: 0004951

**SYLVANIA**

## General data

Product name	START Track Spot L DALI 3600lm 940 MB BLK
Technology	LED
Cap/Base	N/A
Housing	Aluminium
Mount	Track mounting
Fixture rating	Enclosed
General application	Retail
Operating temperature range (°C)	1°C...+25°C
Performance ambient temperature Tq (°C)	25
ETIM Class	EC001744
E-number FI	4274488
E-number SE	7426206
Warranty	5 years

## Optical data

Fixture luminous flux (lm)	3616
Luminaire efficacy (lm/W)	100
LOR (%)	100
Correlated colour temperature (k)	4000
Light colour	Neutral White
CRI (Ra)	90
Colour Variation Initial (SDCM)	SDCM3
Beam Angle (°)	38
Photobiological Risk Group	RG1

## Electrical data

Total power consumption (W)	36
Supply current (A)	0.15
Primary Supply/Product voltage - min (V)	230
Primary Supply/Product voltage - max (V)	240
Lamp power factor	0.95
Electrical protection	Class II
Control gear required	Yes
Control gear type	Electronic ballast
Control gear mounting	Integral
Dimmable	Yes
Dimming method	DALI
Minimum dimming level (%)	1
Drive current (mA)	900
Inrush Current (A)	20
Inrush Duration (µs)	50
Energy Efficiency Class (A->G) of contained light source	E
Nominal Frequency (Hz)	50/60Hz
LED Flickering Rate	Ultra low (5% or less)
Max. products per 10A C Breaker	33
Max. products per 16A C Breaker	55
Max. products per 10A B Breaker	33
Max. products per 16A B Breaker	55

## Lifetime data

Lifespan L70 B50	100000
Lifespan L70 B20	100000
Lifespan L70 B10	100000
Lifespan L80 B50	100000
Lifespan L80 B20	100000
Lifespan L80 B10	79500
Lifespan L90 B50	69500
Lifespan L90 B20	54500
Lifespan L90 B10	47500

# START Track Spot L DALI 3600lm 940 MB BLK

Item No: 0004951



## Physical data

Housing colour	RAL 9005 - Jet black
IP rating	IP20
IK rating	IK02
Diffuser finish	Transparent
Diffuser material	PC Polycarbonate
Reflector finish	High-gloss
Nominal Product Width (mm)	164
Nominal Product Height (mm)	240
Weight (kg)	1.368

## Packaging

Product EAN number	5410288049519
Packaging single length / height (cm)	25.0
Packaging single width (cm)	19.5
Packaging single depth (cm)	20.0
DUN14 (inner)	05410288049519
Units per outer package	1
Packaging outer length / height (cm)	25.0
Packaging outer width (cm)	19.5
Packaging outer depth (cm)	20.0

## Safety data

Glow Wire Test (°C)	850
Optimal operating condition (°C)	1-25
Dry applications use only	Yes