

# ToLEDo RT G120 V4 CL 1055LM 827 E27 SL

Item No: 0027147

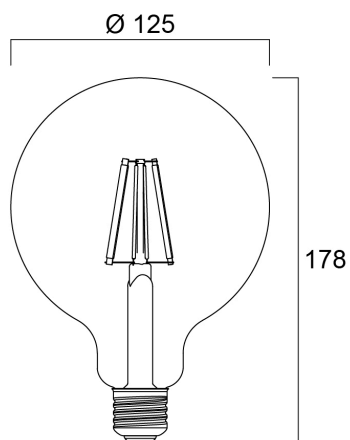
**SYLVANIA**



- Perfect for decorative and general lighting applications and creates a warm ambiance similar to traditional lamps
- Same look, size and functionality as incandescent lamps
- Omni-directional light distribution
- A++ energy rating
- Suitable replacement for incandescent and halogen lamps
- Gives same sparkling light effect as incandescent lamp
- Dimensionally identical to incandescent lamps - fits all fixtures
- Environment friendly - no mercury and lower CO2 emissions

## Technical Assets

### Dimensions (mm)



### Photometrics

# ToLEDo RT G120 V4 CL 1055LM 827 E27 SL

Item No: 0027147

**SYLVANIA**

## General data

|   |  |
|---|--|
| Product name                            | ToLEDo RT G120 V4 CL 1055LM 827 E27 SL |
| Technology                              | LED                                    |
| Watt (Rated) (W)                        | 8                                      |
| Cap/Base                                | E27                                    |
| Fixture rating                          | Open                                   |
| General application                     | Hospitality, Residential & Consumer    |
| Performance ambient temperature Tq (°C) | 25                                     |
| ETIM Class                              | EC001959                               |
| E-number FI                             | 4740492                                |
| Warranty                                | 3 years                                |

## Optical data

|  |           |
|--|-----------|
| Useful luminous flux (Φuse)                  | 1055      |
| Luminous flux (Rated) (lm)                   | 1055      |
| Correlated colour temperature (k)            | 2700      |
| Light colour                                 | Homelight |
| CRI (Ra)                                     | 80        |
| Beam Angle (°)                               | 300       |
| Lumen maintenance at end of nominal life (%) | 70        |

## Electrical data

|   |         |
|---|---------|
| Power consumption (W)                             | 8       |
| Wattage (W)                                       | 8       |
| Starting time (max) (s)                           | 0.5     |
| Warm-up time to 60% of full light (max) (s)       | 1       |
| Lamp power factor                                 | 0.5     |
| No. Of switching cycles before premature failures | >50000  |
| Inrush Current (A)                                | 2.3     |
| Nominal Frequency (Hz)                            | 50/60Hz |
| Max. products per 10A C Breaker                   | 43      |
| Max. products per 16A C Breaker                   | 70      |
| Max. products per 20A C Breaker                   | 87      |

## Lifetime data

|                            |       |
|----------------------------|-------|
| Average life (Nominal) (h) | 15000 |
| Average life (Rated) (h)   | 15000 |

## Physical data

|                               |      |
|-------------------------------|------|
| Nominal Product Length (mm)   | 178  |
| Nominal Product Diameter (mm) | 124  |
| Weight (kg)                   | 0.24 |

## Packaging

|                                       |                |
|---------------------------------------|----------------|
| Product EAN number                    | 5410288271477  |
| Packaging single length / height (cm) | 18.4           |
| Packaging single width (cm)           | 13.1           |
| Packaging single depth (cm)           | 13.1           |
| DUN14 (inner)                         | 15410288271474 |
| Units per inner package               | 6              |
| Packaging inner length / height (cm)  | 20.8           |
| Packaging inner width (cm)            | 27.6           |
| Packaging inner depth (cm)            | 41.0           |
| Units per outer package               | 60             |
| Packaging outer length / height (cm)  | 107.2          |
| Packaging outer width (cm)            | 42.3           |
| Packaging outer depth (cm)            | 56.3           |

## Safety data

|                                     |  |
|-------------------------------------|--|
| Breakage cleaning instructions      | Not applicable                             |
| Special purpose lamp                | No   |
| Dry applications use only           | Yes  |
| Suitable for household illumination | Yes  |
| Safety message                      | Not Suitable for totally enclosed fixtures |