

# RefLED ES50 V5 345lm 827 36° SL

Item No: 0027432

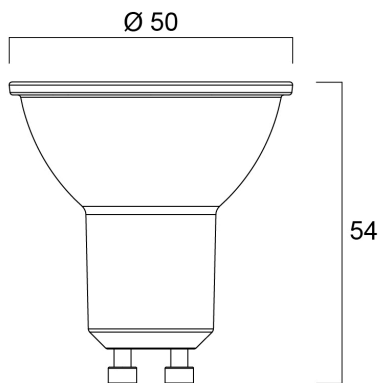
**SYLVANIA**



- Compact, energy efficient and exceptional value for money product.
- Same shape and size as halogen GU10 lamp
- Compact Cluster SMD technology enabling high efficiency with halogen look
- Reduced visible heat sink from the front
- Available in 36 degree
- High lumen efficacy
- 15,000 hours average rated life
- 3 years warranty

## Technical Assets

### Dimensions (mm)



### Photometrics

# RefLED ES50 V5 345lm 827 36° SL

Item No: 0027432

**SYLVANIA**

## General data

Product name	RefLED ES50 V5 345lm 827 36° SL
Technology	LED
Watt (Rated) (W)	4.2
Cap/Base	GU10
Fixture rating	Open
General application	Office, Hospitality, Retail, Education, Residential & Consumer, Museums & Galleries
Performance ambient temperature Tq (°C)	25
ETIM Class	EC001959
E-number FI	4740461
E-number SE	8292494
Warranty	3 years

## Optical data

Useful luminous flux ( $\Phi_{use}$ )	345
Correlated colour temperature (k)	2700
Light colour	Homelight
CRI (Ra)	80
Colour Variation Initial (SDCM)	SDCM6
Colour Consistency (SDCM)	6
Luminous Intensity (cd)	770
Beam Angle (°)	36
Lumen maintenance at end of nominal life (%)	70

## Electrical data

Power consumption (W)	4.2
Wattage (W)	4.2
Starting time (max) (s)	< 0.5
Warm-up time to 60% of full light (max) (s)	< 1.0
Lamp power factor	0.5
No. Of switching cycles before premature failures	>50000
Inrush Current (A)	3.9
Nominal Frequency (Hz)	50/60Hz
Max. products per 10A C Breaker	14
Max. products per 16A C Breaker	23
Max. products per 20A C Breaker	28

## Lifetime data

Average life (Nominal) (h)	15000
Average life (Rated) (h)	15000

## Physical data

Nominal Product Length (mm)	54
Nominal Product Diameter (mm)	50
Weight (kg)	0.03

# RefLED ES50 V5 345lm 827 36° SL

Item No: 0027432

**SYLVANIA**

## Packaging

Product EAN number	5410288274324
Packaging single length / height (cm)	6.1
Packaging single width (cm)	5.2
Packaging single depth (cm)	5.2
DUN14 (inner)	15410288274321
Units per inner package	6
Packaging inner length / height (cm)	16.7
Packaging inner width (cm)	11.6
Packaging inner depth (cm)	7.5
DUN14 (outer)	25410288274328
Units per outer package	60
Packaging outer length / height (cm)	59.8
Packaging outer width (cm)	18.7
Packaging outer depth (cm)	17.1

## Safety data

Breakage cleaning instructions	Not applicable
Special purpose lamp	No
Dry applications use only	Yes
Suitable for household illumination	Yes
Safety message	Not Suitable for totally enclosed fixtures