

RefLED ES50 V5 320lm 830 110° SL

Item No: 0027445

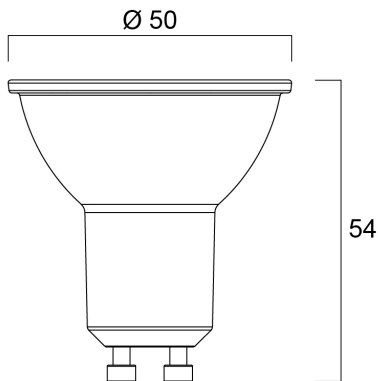
SYLVANIA



- Compact, energy efficient and exceptional value for money product.
- Same shape and size as halogen GU10 lamp
- Compact Cluster SMD technology enabling high efficiency with halogen look
- Reduced visible heat sink from the front
- Available in 36 degree
- High lumen efficacy
- 15,000 hours average rated life
- 3 years warranty

Technical Assets

Dimensions (mm)



Photometrics

RefLED ES50 V5 320lm 830 110° SL

Item No: 0027445

SYLVANIA

General data

Product name	RefLED ES50 V5 320lm 830 110° SL
Technology	LED
Watt (Rated) (W)	4.2
Cap/Base	GU10
Fixture rating	Open
General application	Office, Hospitality, Retail, Education, Residential & Consumer, Museums & Galleries
Performance ambient temperature Tq (°C)	25
ETIM Class	EC001959
E-number FI	4740465
Warranty	3 years

Optical data

Useful luminous flux (Φ_{use})	320
Correlated colour temperature (k)	3000
Light colour	Warm White
CRI (Ra)	80
Colour Consistency (SDCM)	6
Colour Variation Initial (SDCM)	SDCM6
Luminous Intensity (cd)	155
Beam Angle (°)	110
Lumen maintenance at end of nominal life (%)	70

Electrical data

Power consumption (W)	4.2
Wattage (W)	4.2
Starting time (max) (s)	< 0.5
Warm-up time to 60% of full light (max) (s)	< 1.0
Lamp power factor	0.5
No. Of switching cycles before premature failures	>50000
Inrush Current (A)	3.9
Nominal Frequency (Hz)	50/60Hz
Max. products per 10A C Breaker	14
Max. products per 16A C Breaker	23
Max. products per 20A C Breaker	28

Lifetime data

Average life (Nominal) (h)	15000
Average life (Rated) (h)	15000

Physical data

Nominal Product Length (mm)	54
Nominal Product Diameter (mm)	50
Weight (kg)	0.038

RefLED ES50 V5 320lm 830 110° SL

Item No: 0027445



Packaging

Product EAN number	5410288274454
Packaging single length / height (cm)	6.1
Packaging single width (cm)	5.2
Packaging single depth (cm)	5.2
DUN14 (inner)	15410288274451
Units per inner package	6
Packaging inner length / height (cm)	16.7
Packaging inner width (cm)	11.6
Packaging inner depth (cm)	7.5
DUN14 (outer)	25410288274458
Units per outer package	60
Packaging outer length / height (cm)	59.8
Packaging outer width (cm)	18.7
Packaging outer depth (cm)	17.1

Safety data

Breakage cleaning instructions	Not applicable
Special purpose lamp	No
Dry applications use only	Yes
Suitable for household illumination	Yes
Safety message	Not Suitable for totally enclosed fixtures