

ToLEDo Performer T130 V2 10500LM 840 E40 SL

Item No: 0028379

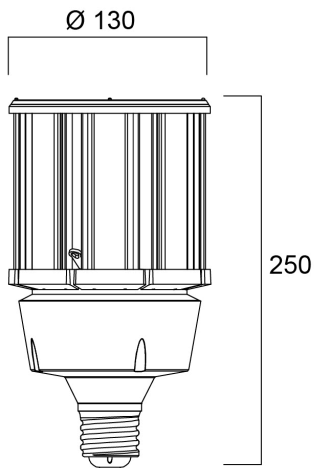
SYLVANIA



Direct retrofit replacement for high-pressure mercury vapor lamps (HPMV) 50,000 hours average rated lifetime Up to 78% energy saving compared to the standard high-pressure mercury vapor lamps Mercury-free solution Lower maintenance cost High lumen efficacy Dual operating mode – compatible with HPMV magnetic ballast and also, suitable for AC direct mains 120-240V operation High surge voltage protection: 4kV Suitable for both open and enclosed luminaires Wide light distribution High switching cycles – 200,000X High colour rendering – CRI80 Minimum and maximum operating temperature: -30°C to 50°C

Technical Assets

Dimensions (mm)



Photometrics

ToLEDo Performer T130 V2 10500LM 840 E40 SL

Item No: 0028379

SYLVANIA

General data

Product name	ToLEDo Performer T130 V2 10500LM 840 E40 SL
Technology	LED
Watt (Rated) (W)	80
Cap/Base	E40
Fixture rating	Open
General application	Logistics & Industry
Operating temperature range (°C)	-20°C...+50°C
Performance ambient temperature Tq (°C)	25
ETIM Class	EC001959
Warranty	5 years

Optical data

Useful luminous flux (Φuse)	10500
Luminous flux (Rated) (lm)	10500
Correlated colour temperature (k)	4000
Light colour	Cool White
CRI (Ra)	80
Colour Variation Initial (SDCM)	SDCM6
Photobiological Risk Group	RG1
Lumen maintenance at end of nominal life (%)	70

Electrical data

Power consumption (W)	80
Wattage (W)	80
Starting time (max) (s)	0.5
Warm-up time to 60% of full light (max) (s)	0.5
Primary Supply/Product voltage - min (V)	220
Primary Supply/Product voltage - max (V)	240
Lamp power factor	0.95
Control gear required	No
No. Of switching cycles before premature failures	>200000
Dimmable	No
Inrush Current (A)	79.2
Inrush Duration (µs)	3
Lamp Energy Label (class)	E
Nominal Frequency (Hz)	50/60Hz
Max. products per 10A C Breaker	11
Max. products per 16A C Breaker	18
Max. products per 20A C Breaker	22

Lifetime data

Lifespan L70 B50	50000
Average life (Nominal) (h)	50000
Average life (Rated) (h)	50000

Physical data

Nominal Product Length (mm)	250
Nominal Product Diameter (mm)	130
Weight (kg)	1.374

ToLEDo Performer T130 V2 10500LM 840 E40 SL

Item No: 0028379



Packaging

Product EAN number	5410288283791
Packaging single length / height (cm)	14.0
Packaging single width (cm)	14.0
Packaging single depth (cm)	29.0
DUN14 (inner)	15410288283798
Units per outer package	4
Packaging outer length / height (cm)	30.0
Packaging outer width (cm)	30.0
Packaging outer depth (cm)	31.0

Safety data

Optimal operating condition (°C)	-20-50
Breakage cleaning instructions	Not applicable
Special purpose lamp	No
Dry applications use only	No
Suitable for household illumination	Yes
Safety message	Not Suitable for totally enclosed fixtures