

# ToLEDo Candle 806LM 827 B22 SL

Item No: 0029612

**SYLVANIA**

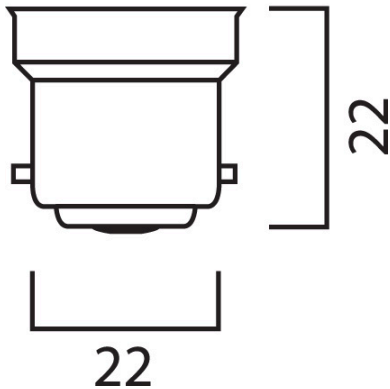


Compact and elegant design. Suitable replacement for halogen, incandescent and compact fluorescent lamps. Instant light at the flick of a switch. Uniform light distribution. Good colour rendering (CRI 80). Perfect for hotels, restaurants, lobbies, corridors, stairwells, reception areas. Lower maintenance costs. 15,000 hours average rated life.

## Technical Assets

Dimensions (mm)

**B22**



Photometrics

# ToLEDo Candle 806LM 827 B22 SL

Item No: 0029612

**SYLVANIA**

## General data

|   |  |
|---|--|
| Product name                            | ToLEDo Candle 806LM<br>827 B22 SL      |
| Technology                              | LED                                    |
| Watt (Rated) (W)                        | 6.5                                    |
| Cap/Base                                | B22                                    |
| Fixture rating                          | Open                                   |
| General application                     | Hospitality, Residential<br>& Consumer |
| Operating temperature range (°C)        | -20°C...+40°C                          |
| Performance ambient temperature Tq (°C) | 25                                     |
| ETIM Class                              | EC001959                               |
| Warranty                                | 3 years                                |

## Optical data

|  |           |
|--|-----------|
| Useful luminous flux ( $\Phi_{use}$ )        | 806       |
| Luminous flux (Rated) (lm)                   | 806       |
| Correlated colour temperature (k)            | 2700      |
| Light colour                                 | Homelight |
| CRI (Ra)                                     | 80        |
| Colour Variation Initial (SDCM)              | SDCM6     |
| Photobiological Risk Group                   | RG0       |
| Lumen maintenance at end of nominal life (%) | 70        |

## Electrical data

|   |         |
|---|---------|
| Power consumption (W)                             | 6.5     |
| Wattage (W)                                       | 6.5     |
| Equivalent watt (W)                               | 60      |
| Primary Supply/Product voltage - min (V)          | 220     |
| Primary Supply/Product voltage - max (V)          | 240     |
| Control gear required                             | No      |
| No. Of switching cycles before premature failures | >100000 |
| Dimmable  | No      |
| Inrush Current (A)                                | 2.8     |
| Inrush Duration ( $\mu$ s)                        | 380     |
| Lamp Energy Label (class)                         | E       |
| Nominal Frequency (Hz)                            | 50/60Hz |
| Max. products per 16A C Breaker                   | 57      |
| Max. products per 16A B Breaker                   | 29      |

## Lifetime data

|                            |       |
|----------------------------|-------|
| Lifespan L70 B50           | 15000 |
| Average life (Nominal) (h) | 15000 |
| Average life (Rated) (h)   | 15000 |

## Physical data

|                               |       |
|-------------------------------|-------|
| Nominal Product Length (mm)   | 103   |
| Nominal Product Diameter (mm) | 35    |
| Weight (kg)                   | 0.024 |

# ToLEDo Candle 806LM 827 B22 SL

Item No: 0029612

**SYLVANIA**

## Packaging

|                                       |                |
|---------------------------------------|----------------|
| Product EAN number                    | 5410288296128  |
| Packaging single length / height (cm) | 4.5            |
| Packaging single width (cm)           | 4.5            |
| Packaging single depth (cm)           | 11.0           |
| DUN14 (inner)                         | 15410288296125 |
| Units per outer package               | 6              |
| Packaging outer length / height (cm)  | 14.3           |
| Packaging outer width (cm)            | 9.7            |
| Packaging outer depth (cm)            | 12.0           |

## Safety data

|                                     |  |
|-------------------------------------|--|
| Optimal operating condition (°C)    | -20-40                                     |
| Breakage cleaning instructions      | Not applicable                             |
| Special purpose lamp                | No   |
| Dry applications use only           | Yes  |
| Suitable for household illumination | Yes  |
| Safety message                      | Not Suitable for totally enclosed fixtures |