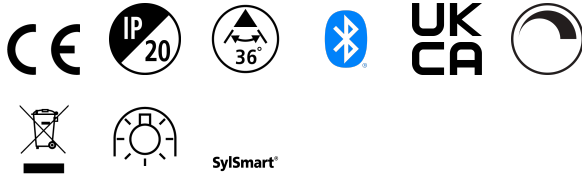


# RefLED Retro ES50 345LM TW SST

Item No: 0030101

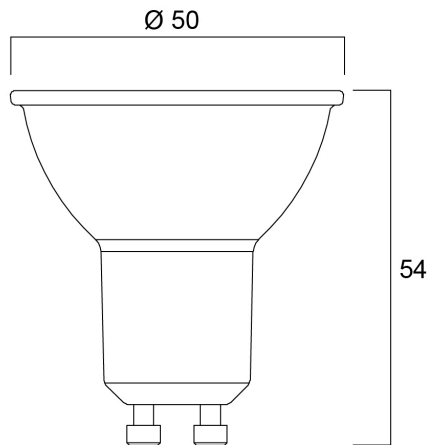
**SYLVANIA**



Elevate your lighting with this glass smart LED GU10 tuneable white lamp, offering adjustable lighting and effortless control. Same size as traditional GU10 lamps, hassle-free upgrade of existing installation to smart energy-efficient lighting. Customise lighting from warm cosy to bright daylight (2000-6500K) to fit any mood or activity. Works effortlessly with SylSmart Home App, SylRemote, Amazon Alexa, Google Assistant and Siri Shortcuts for seamless control and convenience. Adjustable brightness from 1% to 100% with wireless dimming function for perfect illumination. Transform your space with diverse pre-set scenes for the perfect ambiance.

## Technical Assets

### Dimensions (mm)



### Photometrics

# RefLED Retro ES50 345LM TW SST

Item No: 0030101

**SYLVANIA**

## General data

Product name	RefLED Retro ES50 345LM TW SST
Technology	LED
Lamp shape	Reflector
Cap/Base	GU10
Lamp finish	Fresnel lens
Fixture rating	Open
General application	Hospitality, Residential & Consumer, Retail
Operating temperature range (°C)	-20°C...+40°C
Virtual assistant compatibility	Google Assistant, Amazon Alexa
ETIM Class	EC001959
E-number FI	4741190
Warranty	3 years

## Optical data

Useful luminous flux ( $\Phi_{use}$ )	345
Light colour	Homelight-Cool White
CRI (Ra)	80
Colour Variation Initial (SDCM)	SDCM6
Luminous Intensity (cd)	600
Beam Angle (°)	36
Photobiological Risk Group	RG1

## Electrical data

Power consumption (W)	4.5
Wattage (W)	4.5
Equivalent watt (W)	50
Supply current (A)	0.04
Primary Supply/Product voltage - min (V)	220
Primary Supply/Product voltage - max (V)	240
Control gear required	No
Dimmable	Yes
Inrush Current (A)	6
Inrush Duration ( $\mu$ s)	210
Lamp Energy Label (class)	F
Nominal Frequency (Hz)	50/60Hz

## Lifetime data

Lifespan L70 B50	15000
------------------	-------

## Physical data

IP rating	IP20
Nominal Product Length (mm)	54
Nominal Product Diameter (mm)	50
Weight (kg)	0.05

# RefLED Retro ES50 345LM TW SST

Item No: 0030101



## Packaging

Product EAN number	5410288301013
Packaging single length / height (cm)	8.2
Packaging single width (cm)	6.1
Packaging single depth (cm)	5.1
DUN14 (inner)	15410288301010
Units per inner package	6
Packaging inner length / height (cm)	9.2
Packaging inner width (cm)	16.4
Packaging inner depth (cm)	13.1
DUN14 (outer)	25410288301017
Units per outer package	60
Packaging outer length / height (cm)	20.8
Packaging outer width (cm)	17.8
Packaging outer depth (cm)	68.5

## Safety data

Optimal operating condition (°C)	-20-40
Breakage cleaning instructions	Not applicable
Special purpose lamp	No
Dry applications use only	Yes
Suitable for household illumination	Yes
Safety message	Not Suitable for totally enclosed fixtures