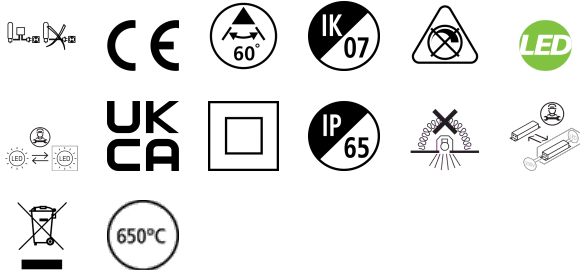


Insaver Slim UGR19 IP65 205 2400lm 840

Item No: 0030457

SYLVANIA

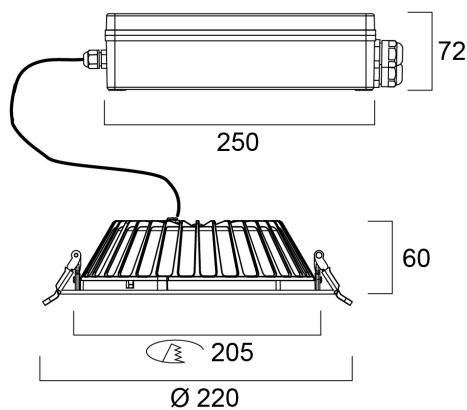
PROTM



Insaver Slim is a ceiling recessed LED downlight (IP65 from the front and back), Die-cast aluminium body, loop in loop out connector for quick installation, Non dimmable LED driver, 20W; 2400lm; 120lm/W; 4000K; UGR <19 with shallow product depth 60mm. IK07 for the fixture, IK03 for the IP driver box. When using with EM kit (0046600& 0046601), protection IP65 kept only from the front. Meets TP(a) requirements.

Technical Assets

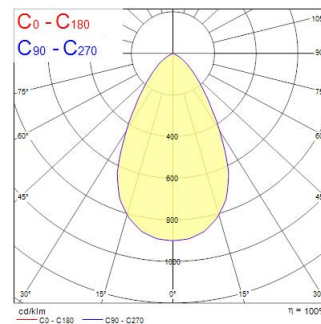
Dimensions (mm)



Photometrics

Distance [m]	Cone diameter [m]	Beam angle [°]	Illuminance [lx]
0.5	0.59	61.0°	8596
1.0	1.18	61.0°	2149
1.5	1.77	61.0°	955
2.0	2.36	61.0°	587
2.5	2.95	61.0°	364
3.0	3.53	61.0°	239

— C0 - C180 (Half beam angle: 61.0°)



Insaver Slim UGR19 IP65 205 2400lm 840

Item No: 0030457

SYLVANIA

General data

Product name	Insaver Slim UGR19 IP65 205 2400lm 840
Technology	LED
Cap/Base	N/A
Housing	Aluminium
Mount	Ceiling recessed mounting
Built in presence detector	NONE
General application	Hospitality, Office, Retail
Operating temperature range (°C)	-20°C...+40°C
Virtual assistant compatibility	N/A
ETIM Class	EC001744
E-number FI	4579583
Warranty	5 years

Optical data

Fixture luminous flux (lm)	2400
Luminaire efficacy (lm/W)	120
Correlated colour temperature (k)	4000
Light colour	Neutral White
CRI (Ra)	80
Colour Variation Initial (SDCM)	SDCM3
Beam Angle (°)	60
Distribution type	Symmetric
Glare control	< 19
Photobiological Risk Group	RG1

Electrical data

Total power consumption (W)	20
Primary Supply/Product voltage - min (V)	220
Primary Supply/Product voltage - max (V)	240
Lamp power factor	0.9
THD (at 230 V, 50 Hz, full load, at 100% dimming level) ≤ xx.x %	20
Electrical protection	Class II
Control gear required	Yes
Control gear type	LED driver constant current
No. Of switching cycles before premature failures	>100000
Dimmable	No
Dimming method	N/A
Drive current (mA)	600
Inrush Current (A)	17.2
Inrush Duration (µs)	200
Energy Efficiency Class (A->G) of contained light source	D
Nominal Frequency (Hz)	50/60Hz
LED Flickering Rate	Ultra low (5% or less)
Max. products per 10A C Breaker	20
Max. products per 13A C Breaker	26
Max. products per 16A C Breaker	32
Max. products per 20A C Breaker	40
Max. products per 16A B Breaker	19
Connectable conductor cross section - Min (mm ²)	0.58
Connectable conductor cross section - Max (mm ²)	1.58

Lifetime data

Lifespan L70 B50	90000
Lifespan L80 B20	90000
Lifespan L90 B10	39000

Insaver Slim UGR19 IP65 205 2400lm 840

Item No: 0030457

SYLVANIA

Physical data

Housing colour	RAL 9003 - Signal white
IP rating	IP65
IK rating	IK07
Diffuser finish	Other
Diffuser material	None
Reflector finish	Not Applicable
Nominal Product Height (mm)	70
Nominal Product Diameter (mm)	220
Built-in diameter (mm)	205
Weight (kg)	1.064
Recessed Depth (mm)	150

Packaging

Product EAN number	5410288304571
Packaging single length / height (cm)	33.0
Packaging single width (cm)	32.5
Packaging single depth (cm)	11.0
DUN14 (inner)	15410288304578
Units per outer package	8
Packaging outer length / height (cm)	67.0
Packaging outer width (cm)	34.5
Packaging outer depth (cm)	46.0

Safety data

Glow Wire Test (°C)	650
Optimal operating condition (°C)	-20-40