

Adapting Ring RAL9010 175/225/250

Item No: 0030462

SYLVANIA

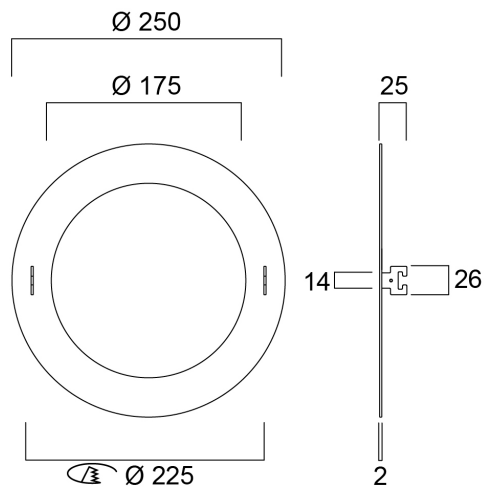
PROTM



Adapting ring is suitable for the fixture of 175mm cut out. When put together, it can be used in a new cut out of 225mm. Outer ring of 250mm dia. RAL9010.

Technical Assets

Dimensions (mm)



Photometrics

Adapting Ring RAL9010 175/225/250

Item No: 0030462

SYLVANIA

General data

| | |
|---------------------|---|
| Product name | Adapting Ring RAL9010 175/225/250 |
| Technology | Non - Electrical Device |
| Type of accessory | Other |
| Mount | Ceiling recessed mounting |
| General application | Education, Hospitality, Office, Retail |
| ETIM Class | EC002557 |
| E-number FI | 4278413 |
| Warranty | 3 years |

Physical data

| | |
|-------------------------------|-----------------------|
| Housing colour | RAL 9010 - Pure white |
| IP rating | IP20 |
| IK rating | IK02 |
| Nominal Product Height (mm) | 25 |
| Nominal Product Diameter (mm) | 250 |
| Weight (kg) | 0.4 |

Packaging

| | |
|---------------------------------------|----------------|
| Product EAN number | 5410288304625 |
| Packaging single length / height (cm) | 26.0 |
| Packaging single width (cm) | 4.5 |
| Packaging single depth (cm) | 26.0 |
| DUN14 (inner) | 15410288304622 |
| Units per outer package | 20 |
| Packaging outer length / height (cm) | 53.5 |
| Packaging outer width (cm) | 24.5 |
| Packaging outer depth (cm) | 53.5 |