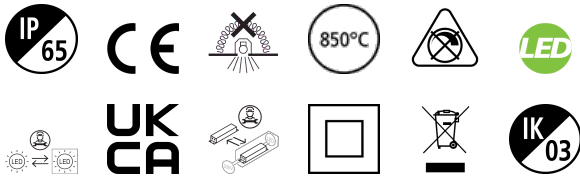


Insaver UGR19 IP65 205 2500lm 840

Item No: 0030531

SYLVANIA

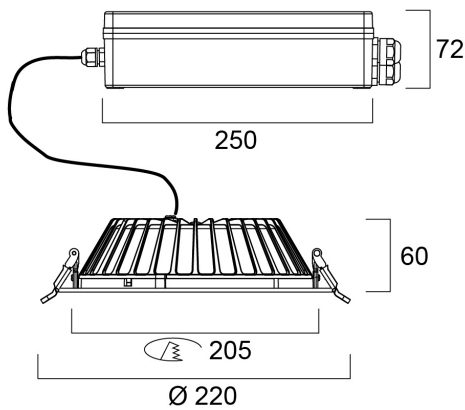
PROTM



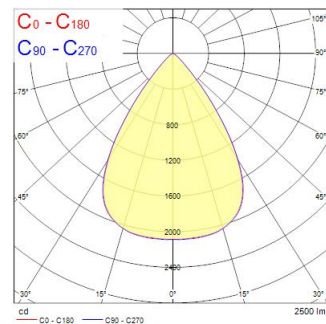
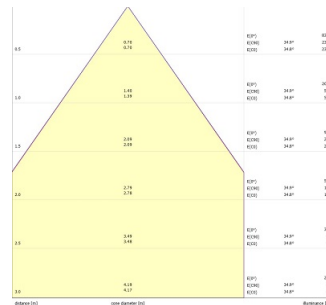
Insaver is a ceiling recessed LED downlight (IP65 from the front and back), Die-cast aluminium body, loop in loop out connector for quick installation, Non dimmable LED driver, 20W; 2500lm; 125lm/W; 4000K; UGR <19 with shallow product depth 60mm. IK07 for the fixture, IK03 for the IP driver box. When using with EM kit (0046600& 0046601), protection IP65 kept only from the front. Meets TP(a) requirements.

Technical Assets

Dimensions (mm)



Photometrics



Insaver UGR19 IP65 205 2500lm 840

Item No: 0030531

SYLVANIA

General data

Product name	Insaver UGR19 IP65 205 2500lm 840
Technology	LED
Cap/Base	N/A
Housing	Aluminium
Mount	Ceiling recessed mounting
Built in presence detector	NONE
General application	Hospitality, Office, Retail
Operating temperature range (°C)	-20°C...+40°C
Virtual assistant compatibility	N/A
ETIM Class	EC001744
E-number FI	4579608
Warranty	5 years

Optical data

Fixture luminous flux (lm)	2500
Luminaire efficacy (lm/W)	125
Correlated colour temperature (k)	4000
Light colour	Neutral White
CRI (Ra)	80
Colour Variation Initial (SDCM)	SDCM3
Beam Angle (°)	70
Distribution type	Symmetric
Glare control	< 19
Photobiological Risk Group	RG1

Electrical data

Total power consumption (W)	20
Primary Supply/Product voltage - min (V)	220.0
Primary Supply/Product voltage - max (V)	240.0
Lamp power factor	0.9
THD (at 230 V, 50 Hz, full load, at 100% dimming level) ≤ xx.x %	20.0
Electrical protection	Class II
Control gear type	LED driver constant current
Dimmable	No
Dimming method	N/A
Drive current (mA)	600
Inrush Current (A)	20
Inrush Duration (µs)	101
Energy Efficiency Class (A->G) of contained light source	D
Nominal Frequency (Hz)	50/60Hz
LED Flickering Rate	Ultra low (5% or less)
Max. products per 10A C Breaker	38
Max. products per 16A C Breaker	57
Max. products per 16A B Breaker	45
Connectable conductor cross section - Min (mm ²)	0.75
Connectable conductor cross section - Max (mm ²)	1.5

Lifetime data

Lifespan L70 B50	100000
Lifespan L70 B20	100000
Lifespan L70 B10	100000
Lifespan L80 B50	100000
Lifespan L80 B20	88000
Lifespan L80 B10	80000
Lifespan L90 B50	50000
Lifespan L90 B20	43000
Lifespan L90 B10	39000

Insaver UGR19 IP65 205 2500lm 840

Item No: 0030531

SYLVANIA

Physical data

Housing colour	RAL 9010 - Pure white
IP rating	IP65
IK rating	IK03
Diffuser finish	Other
Diffuser material	None
Reflector finish	Not Applicable
Nominal Product Height (mm)	60
Nominal Product Diameter (mm)	220
Built-in diameter (mm)	205
Weight (kg)	1.064

Packaging

Product EAN number	5410288305318
Packaging single length / height (cm)	33.0
Packaging single width (cm)	32.5
Packaging single depth (cm)	11.0
DUN14 (inner)	15410288305315
Units per outer package	8
Packaging outer length / height (cm)	67.0
Packaging outer width (cm)	34.5
Packaging outer depth (cm)	46.0

Safety data

Glow Wire Test (°C)	850
Optimal operating condition (°C)	-20-40