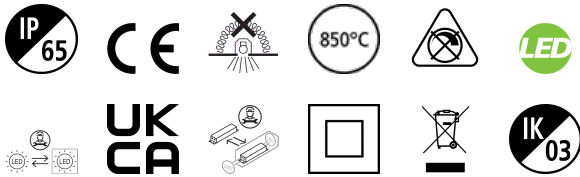


# Insaver IP65 225 4150- 4950LM 840 Multi

Item No: 0030533

**SYLVANIA**

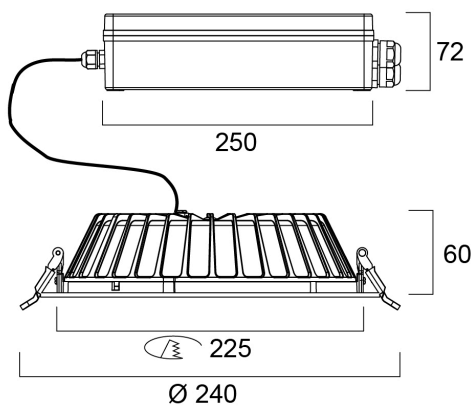
**PRO**<sup>TM</sup>



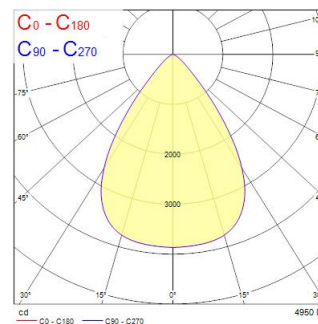
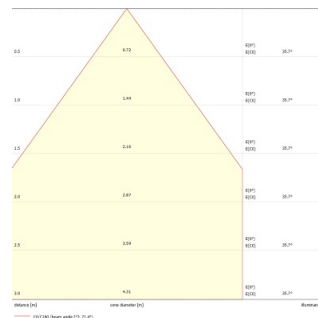
Insaver is a ceiling recessed LED downlight (IP65 from the front and back), Die-cast aluminium body, loop in loop out connector for quick installation, Non dimmable LED driver, 117lm/W; 4000K; UGR <22 with shallow product depth 65mm. IK07 for the fixture, IK03 for the IP driver box. The range features a multipower functionality where the luminous flux of the luminaire can be tailored to local needs by only setting a quick selector switch on the driver (33W 4150lm, 35W 4300lm, 36W 4450lm, 41W 4950lm). When using with EM kit (0046600& 0046601), protection IP65 kept only from the front

## Technical Assets

### Dimensions (mm)



### Photometrics



# Insaver IP65 225 4150- 4950LM 840 Multi

Item No: 0030533

**SYLVANIA**

## General data

Product name	Insaver IP65 225 4150-4950LM 840 Multi
Technology	LED
Cap/Base	N/A
Housing	Aluminium
Mount	Ceiling recessed mounting
Built in presence detector	NONE
General application	Hospitality, Office, Retail
Operating temperature range (°C)	-20°C...+25°C
Virtual assistant compatibility	N/A
ETIM Class	EC001744
Warranty	5 years

## Optical data

Fixture luminous flux (lm)	4950
Luminaire efficacy (lm/W)	121
Correlated colour temperature (k)	4000
Light colour	Neutral White
CRI (Ra)	80
Colour Variation Initial (SDCM)	SDCM3
Beam Angle (°)	70
Distribution type	Symmetric
Glare control	< 22
Photobiological Risk Group	RG1

## Electrical data

Total power consumption (W)	41
Primary Supply/Product voltage - min (V)	220.0
Primary Supply/Product voltage - max (V)	240.0
Lamp power factor	0.9
THD (at 230 V, 50 Hz, full load, at 100% dimming level) ≤ xx.x %	10.0
Electrical protection	Class II
Control gear type	LED driver constant current
Dimmable	No
Dimming method	N/A
Drive current (mA)	1050
Inrush Current (A)	82
Inrush Duration (µs)	40
Energy Efficiency Class (A->G) of contained light source	D
Nominal Frequency (Hz)	50/60Hz
LED Flickering Rate	Ultra low (5% or less)
Max. products per 10A C Breaker	32
Max. products per 16A C Breaker	51
Max. products per 16A B Breaker	51
Connectable conductor cross section - Min (mm <sup>2</sup> )	0.75
Connectable conductor cross section - Max (mm <sup>2</sup> )	1.5

## Lifetime data

Lifespan L70 B50	100000
Lifespan L70 B20	100000
Lifespan L70 B10	100000
Lifespan L80 B50	100000
Lifespan L80 B20	88000
Lifespan L80 B10	80000
Lifespan L90 B50	50000
Lifespan L90 B20	43000
Lifespan L90 B10	39000

# Insaver IP65 225 4150- 4950LM 840 Multi

Item No: 0030533

**SYLVANIA**

## Physical data

Housing colour	RAL 9010 - Pure white
IP rating	IP65
IK rating	IK03
Diffuser finish	Other
Diffuser material	None
Reflector finish	Not Applicable
Nominal Product Height (mm)	60
Nominal Product Diameter (mm)	240
Built-in diameter (mm)	225
Weight (kg)	1.242

## Packaging

Product EAN number	5410288305332
Packaging single length / height (cm)	34.5
Packaging single width (cm)	33.0
Packaging single depth (cm)	11.0
DUN14 (inner)	15410288305339
Units per outer package	8
Packaging outer length / height (cm)	68.0
Packaging outer width (cm)	36.0
Packaging outer depth (cm)	46.0

## Safety data

Glow Wire Test (°C)	850
Optimal operating condition (°C)	-20-25