

BRACKET AND ARM FOR 13KLM

Item No: 0039353

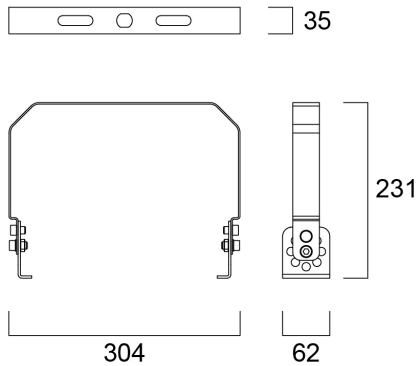
SYLVANIA



Adjustable stainless steel bracket and arm for 13000 lm Start Highbay (0039344, 0039347, 0039350).

Technical Assets

Dimensions (mm)



Photometrics

General data

Product name	BRACKET AND ARM FOR 13KLM
Technology	Accessory
Housing	Steel
Mount	Wall surface mounted
General application	Logistics & Industry
ETIM Class	EC002557
E-number FI	4306968
E-number SE	7214428
Warranty	5 years

Physical data

Housing colour	Black
Nominal Product Length (mm)	304
Nominal Product Width (mm)	231
Nominal Product Height (mm)	62
Weight (kg)	0.67

BRACKET AND ARM FOR 13KLM

Item No: 0039353



Packaging

Product EAN number	5410288393537
Packaging single length / height (cm)	31.5
Packaging single width (cm)	4.8
Packaging single depth (cm)	23.0
DUN14 (inner)	15410288393534
Units per outer package	10
Packaging outer length / height (cm)	47.5
Packaging outer width (cm)	33.0
Packaging outer depth (cm)	26.2