

START Highbay Multipower Bracket and Arm

Item No: 0039445

SYLVANIA

STARTTM

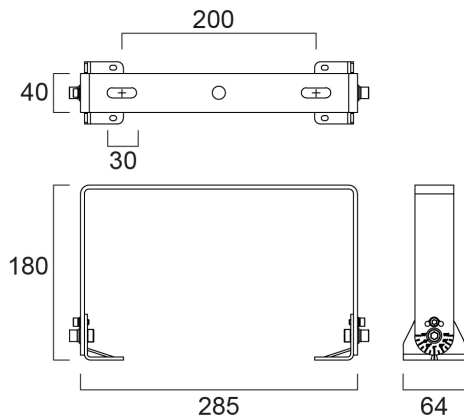
CE UK CA



Adjustable stainless steel bracket and arm for START Highbay Multipower

Technical Assets

Dimensions (mm)



Photometrics

START Highbay Multipower Bracket and Arm

Item No: 0039445



General data

Product name	START Highbay Multipower Bracket and Arm
Technology	Non - Electrical Device
Type of accessory	Mounting kit
Housing	Steel
General application	Logistics & Industry
ETIM Class	EC002557
E-number FI	4357152
Warranty	5 years

Packaging

Product EAN number	5410288394459
Packaging single length / height (cm)	36.0
Packaging single width (cm)	22.5
Packaging single depth (cm)	19.5
DUN14 (inner)	15410288394456
Units per outer package	6
Packaging outer length / height (cm)	36.0
Packaging outer width (cm)	22.5
Packaging outer depth (cm)	19.5

Physical data

Housing colour	RAL 9006 - Aluminium
Nominal Product Length (mm)	285
Nominal Product Width (mm)	64
Nominal Product Height (mm)	180
Weight (kg)	0.993