

PC Lampshade Transparent For 13/19Klm

Item No: 0039608

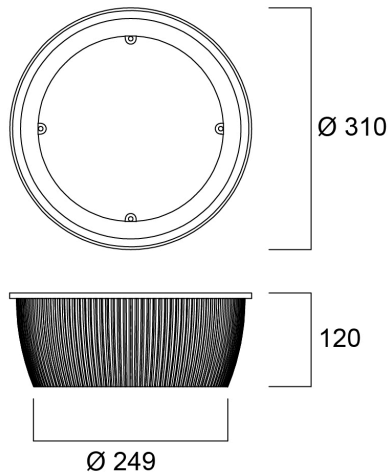
SYLVANIA



Transparent polycarbonate shade for 13,000 & 19,000Lm Granit.

Technical Assets

Dimensions (mm)



Photometrics

General data

Product name	PC Lampshade Transparent For 13/19Klm
Technology	Accessory
General application	Logistics & Industry
ETIM Class	EC002557
E-number FI	4357030
Warranty	5 years

Packaging

Product EAN number	5410288396088
Packaging single length / height (cm)	31.0
Packaging single width (cm)	31.0
Packaging single depth (cm)	12.0
DUN14 (inner)	15410288396085
Units per outer package	6
Packaging outer length / height (cm)	37.0
Packaging outer width (cm)	37.0
Packaging outer depth (cm)	24.0

Physical data

Weight (kg)	0.42
-------------	------