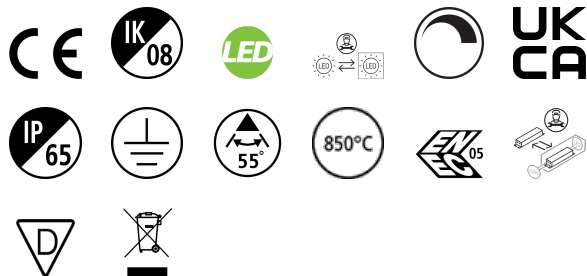


Granit IP65 DALI 13000lm 840 MB

Item No: 0039617

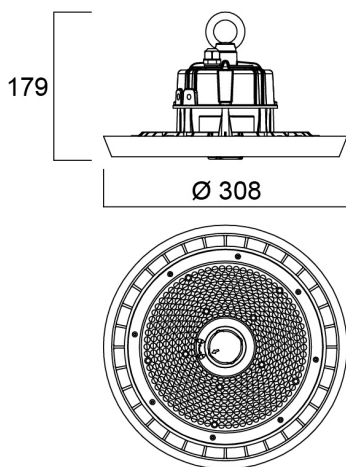
SYLVANIA



Integrated LED highbay; Black aluminium housing; 13000Lm; 93 W; 140 Lm/W; 4000K; Drive current: 1600mA; CRI 80; 55° beam angle; DALI dimmable; IP65; IK08; Lifespan L80:B50 90,000 hrs; (D x H) 308 x 179 mm; 1.5 m mains cable; 1.5 m control cable; 1.2 m chain length including hooks.

Technical Assets

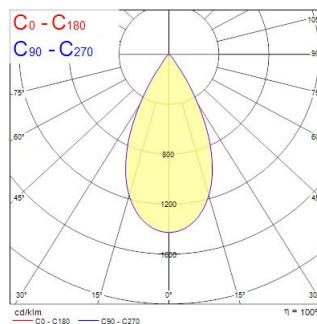
Dimensions (mm)



Photometrics

| Distance [m] | Cone diameter [m] | Beam diameter [m] | Illuminance [lx] |
|--------------|-------------------|-------------------|------------------|
| 0.5 | 0.55 | 0.71 | 6105 |
| | | E/C0 | 2453 |
| 1.0 | 1.09 | 0.71 | 1576 |
| | | E/C0 | 630 |
| 1.5 | 1.64 | 0.71 | 721 |
| | | E/C0 | 283 |
| 2.0 | 2.19 | 0.71 | 349 |
| | | E/C0 | 138 |
| 2.5 | 2.74 | 0.71 | 237 |
| | | E/C0 | 91 |
| 3.0 | 3.28 | 0.71 | 156 |
| | | E/C0 | 61 |

Distance [m] Cone diameter [m] Illuminance [lx]
C0 - C180 (Half beam angle: 57.4°)



Granit IP65 DALI 13000lm 840 MB

Item No: 0039617

SYLVANIA

General data

| | |
|---|---------------------------------|
| Product name | Granit IP65 DALI 13000lm 840 MB |
| Technology | LED |
| Housing | Aluminium |
| Mount | Suspended |
| Fixture rating | Enclosed |
| General application | Logistics & Industry |
| Operating temperature range (°C) | -30°C...+50°C |
| Performance ambient temperature Tq (°C) | 25 |
| ETIM Class | EC001716 |
| E-number FI | 4357014 |
| Warranty | 5 years |

Optical data

| | |
|-----------------------------------|---------------|
| Fixture luminous flux (lm) | 13000 |
| Luminaire efficacy (lm/W) | 140 |
| Correlated colour temperature (k) | 4000 |
| Light colour | Neutral White |
| CRI (Ra) | 80 |
| Colour Variation Initial (SDCM) | SDCM3 |
| Beam Angle (°) | 55 |
| Glare control | < 22 |
| Photobiological Risk Group | RG1 |

Electrical data

| | |
|--|-----------------------------|
| Total power consumption (W) | 93 |
| Lamp power factor | 0.95 |
| THD (at 230 V, 50 Hz, full load, at 100% dimming level) ≤ xx.x % | 10 |
| Electrical protection | Class I |
| Control gear type | LED driver constant current |
| Dimmable | Yes |
| Dimming method | DALI |
| Drive current (mA) | 1600 |
| Inrush Current (A) | 72.08 |
| Inrush Duration (µs) | 540 |
| Energy Efficiency Class (A->G) of contained light source | E |
| Nominal Frequency (Hz) | 50/60Hz |
| LED Flickering Rate | Low (6% - 20%) |
| Max. products per 10A C Breaker | 10 |
| Max. products per 13A C Breaker | 13 |
| Max. products per 16A C Breaker | 16 |
| Max. products per 20A C Breaker | 20 |
| Max. products per 10A B Breaker | 6 |
| Max. products per 13A B Breaker | 7 |
| Max. products per 16A B Breaker | 9 |
| Max. products per 20A B Breaker | 12 |

Lifetime data

| | |
|------------------|-------|
| Lifespan L70 B50 | 90000 |
| Lifespan L70 B20 | 90000 |
| Lifespan L70 B10 | 90000 |
| Lifespan L80 B50 | 90000 |
| Lifespan L80 B20 | 70000 |
| Lifespan L80 B10 | 65000 |
| Lifespan L90 B50 | 45000 |
| Lifespan L90 B20 | 35000 |
| Lifespan L90 B10 | 30000 |

Granit IP65 DALI 13000lm 840 MB

Item No: 0039617

SYLVANIA

Physical data

| | |
|-------------------------------|------------------|
| Housing colour | Black |
| IP rating | IP65 |
| IK rating | IK08 |
| Diffuser finish | Transparent |
| Diffuser material | PC Polycarbonate |
| Nominal Product Height (mm) | 179 |
| Nominal Product Diameter (mm) | 308 |
| Weight (kg) | 2.78 |

Packaging

| | |
|---------------------------------------|----------------|
| Product EAN number | 5410288396170 |
| Packaging single length / height (cm) | 37.0 |
| Packaging single width (cm) | 37.0 |
| Packaging single depth (cm) | 18.0 |
| DUN14 (inner) | 05410288396170 |
| Units per outer package | 1 |
| Packaging outer length / height (cm) | 37.0 |
| Packaging outer width (cm) | 37.0 |
| Packaging outer depth (cm) | 18.0 |

Safety data

| | |
|----------------------------------|--------|
| Glow Wire Test (°C) | 850 |
| Optimal operating condition (°C) | -30-50 |