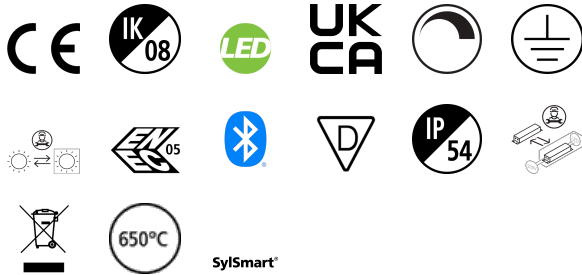


# GRANIT IP54 13000LM 840 WB SSA

Item No: 0039769

**SYLVANIA**

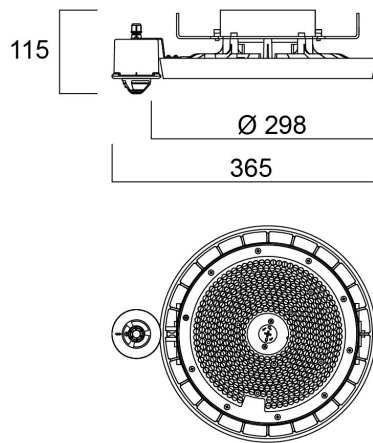
**PRO**<sup>TM</sup>



Integrated LED highbay; Black aluminium housing; 13000 Lm; 80 W; 163 Lm/W; 4000K; Drive current: 1560mA; CRI 80; 85° beam angle; Sylsmart SSA - Connected; IP54; Lifespan L80:B20 92,000 hrs; suspension wires included. Lampshades cannot be used for Granit SSA luminaires, as it disturbs the signal for the sensor.

## Technical Assets

### Dimensions (mm)

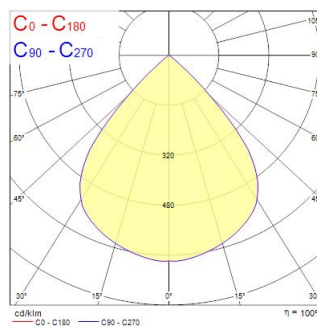


### Photometrics

Distance [m]	Cone diameter [m]	E10° [lx]	E10° [fc]	E10° [lx]
0.5	0.89	3426	710	3426
1.0	1.79	854	179	854
1.5	2.68	368	76	368
2.0	3.58	214	45	214
2.5	4.47	137	29	137
3.0	5.36	92	19	92

Distance [m] Cone diameter [m] Illuminance [lx]

— C0 - C180 (Half beam angle: 83.6°)



# GRANIT IP54 13000LM 840 WB SSA

Item No: 0039769

**SYLVANIA**

## General data

Product name	GRANIT IP54 13000LM 840 WB SSA
Technology	LED
Cap/Base	N/A
General application	Logistics & Industry
Operating temperature range (°C)	-20°C...+40°C
ETIM Class	EC001716
E-number FI	4357150
Warranty	5 years

## Optical data

Fixture luminous flux (lm)	13000
Luminaire efficacy (lm/W)	163
Correlated colour temperature (k)	4000
Light colour	Neutral White
CRI (Ra)	80
Colour Variation Initial (SDCM)	SDCM3
Beam Angle (°)	85
Distribution type	Symmetric
Glare control	< 25
Photobiological Risk Group	RG1

## Electrical data

Total power consumption (W)	80
Primary Supply/Product voltage - min (V)	220.0
Primary Supply/Product voltage - max (V)	240.0
Lamp power factor	0.90
THD (at 230 V, 50 Hz, full load, at 100% dimming level) ≤ xx.x %	10
Electrical protection	Class I
No. Of switching cycles before premature failures	>100000
Dimmable	Yes
Dimming method	SylSmart Connected (SSA)
Drive current (mA)	1560
Inrush Current (A)	123
Inrush Duration (µs)	132
Energy Efficiency Class (A->G) of contained light source	C
Nominal Frequency (Hz)	50/60Hz
LED Flickering Rate	Low (6% - 20%)
Max. products per 10A C Breaker	8
Max. products per 13A C Breaker	9
Max. products per 16A C Breaker	14
Max. products per 20A C Breaker	17
Max. products per 10A B Breaker	5
Max. products per 13A B Breaker	7
Max. products per 16A B Breaker	8
Max. products per 20A B Breaker	10
Mains surge immunity (differential mode -> L-N) (kV)	6
Mains surge immunity (common mode -> L/N - GND) (kV)	10

## Lifetime data

Lifespan L70 B50	120000
Lifespan L80 B20	92000
Lifespan L90 B50	51000

# GRANIT IP54 13000LM 840 WB SSA

Item No: 0039769

**SYLVANIA**

## Physical data

Housing colour	RAL 9017 - Traffic black
IP rating	IP54
IK rating	IK08
IK rating of sensor	IK03
Nominal Product Height (mm)	168
Nominal Product Diameter (mm)	298
Weight (kg)	2.908

## Packaging

Product EAN number	5410288397696
Packaging single length / height (cm)	32.5
Packaging single width (cm)	32.5
Packaging single depth (cm)	13.0
DUN14 (inner)	05410288397696
Units per outer package	1
Packaging outer length / height (cm)	32.5
Packaging outer width (cm)	32.5
Packaging outer depth (cm)	13.0

## Safety data

Glow Wire Test (°C)	650
Optimal operating condition (°C)	-20-40