

# SylSafe Spot RA R EM3 NM DA

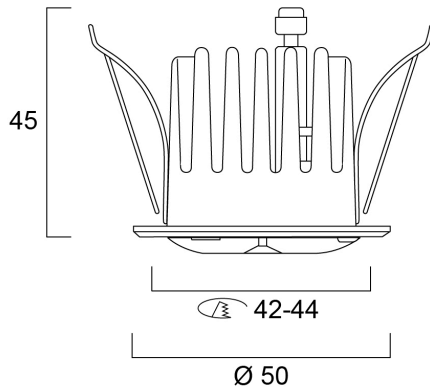
Item No: 0041721



SylSafe Spot RA R EM3 NM DA is a miniature emergency recessed downlight with interchangeable optics for open area and escape route illumination. Non-maintained 3 hr emergency duration with NiMH rechargeable battery. Recharge period 24 hours. Self testing with DALI monitoring capability. Quick and easy installation with driver module and battery pack contained in articulated case that can pass through 40mm cutout. 160lm, 3W, IK03, IP30. Power Factor 0.45. Class II electrical construction.

## Technical Assets

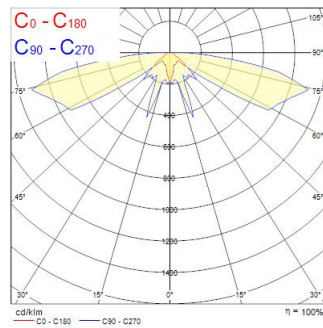
### Dimensions (mm)



### Photometrics

Distance [m]	Cone diameter [m]	Beam diameter [m]	Beam diameter [m]	Illuminance [lx]
0.5	0.14 1.43	0.07	0.07	133
1.0	0.29 2.87	0.14	0.14	33
1.5	0.43 4.30	0.21	0.21	14
2.0	0.58 5.73	0.28	0.28	8
2.5	0.72 7.17	0.35	0.35	5
3.0	0.87 8.60	0.42	0.42	3

Distance [m]    Cone diameter [m]    Illuminance [lx]  
 — C0 - C180 (Half beam angle: 110.2°)  
 — C90 - C270 (Half beam angle: 166.0°)



# SylSafe Spot RA R EM3 NM DA

Item No: 0041721

**SYLVANIA**

## General data

Product name	SylSafe Spot RA R EM3 NM DA
Technology	LED
Mount	Ceiling recessed mounting
General application	Office, Hospitality, Retail, Museums & Galleries, Education
ETIM Class	EC001957
Warranty	5 years

## Optical data

Fixture luminous flux (lm)	160
Luminaire efficacy (lm/W)	53
Correlated colour temperature (k)	6300
CRI (Ra)	75
Photobiological Risk Group	RG2
Luminous flux (emergency) (lm)	160

## Electrical data

Emergency duration (h)	3
Primary Supply/Product voltage - min (V)	220
Primary Supply/Product voltage - max (V)	240
Lamp power factor	0.45
Electrical protection	Class II
Control gear required	Yes
Drive current (mA)	30
Nominal Frequency (Hz)	50/60Hz

## Physical data

Housing colour	White
IP rating	IP30
IK rating	IK03
Nominal Product Length (mm)	50
Nominal Product Width (mm)	50
Nominal Product Height (mm)	45
Weight (kg)	0.32

## Packaging

Product EAN number	5410288417219
Packaging single length / height (cm)	21.0
Packaging single width (cm)	9.3
Packaging single depth (cm)	4.7
DUN14 (inner)	05410288417219
DUN14 (outer)	05410288417219
Units per outer package	25
Packaging outer length / height (cm)	42.4
Packaging outer width (cm)	29.8
Packaging outer depth (cm)	28.0