

SylSafe Bay HB C EMC NM MS

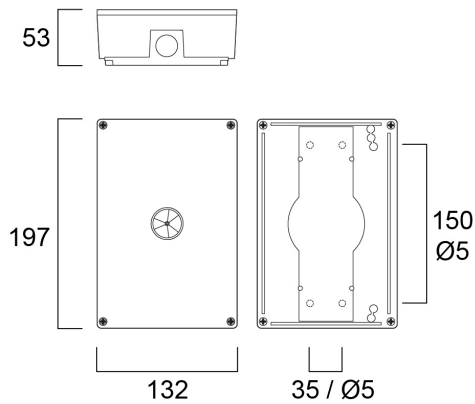
Item No: 0041734



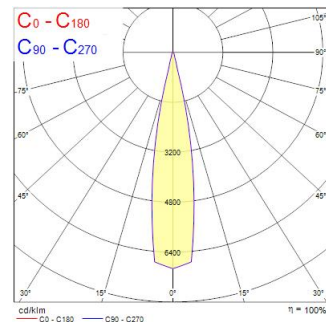
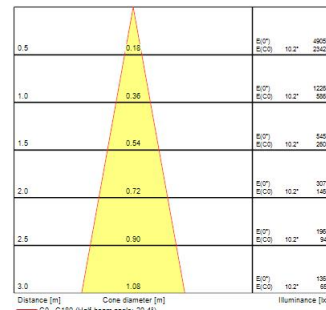
SylSafe Bay HB C EMC NM MS is a dust and waterproof surface mounted emergency luminaire for industrial applications. Highbay optics for high ceiling applications. Non-maintained version for central battery systems. 177lm, 3W, IK03, IP65. Power Factor 0.44. Class II electrical construction.

Technical Assets

Dimensions (mm)



Photometrics



SylSafe Bay HB C EMC NM MS

Item No: 0041734

SYLVANIA

General data

Product name	SylSafe Bay HB C EMC NM MS
Technology	LED
Mount	Ceiling surface mounting
General application	Education, Hospitality, Logistics & Industry, Museums & Galleries, Office, Retail
ETIM Class	EC001957
Warranty	5 years

Optical data

Fixture luminous flux (lm)	177
Luminaire efficacy (lm/W)	59
Correlated colour temperature (k)	5700
CRI (Ra)	75
Photobiological Risk Group	RG2
Luminous flux (emergency) (lm)	200

Electrical data

Emergency duration (h)	3
Primary Supply/Product voltage - min (V)	220
Primary Supply/Product voltage - max (V)	240
Lamp power factor	0.44
Electrical protection	Class II
Control gear required	Yes
Drive current (mA)	46
Nominal Frequency (Hz)	50/60Hz

Physical data

Housing colour	White
IP rating	IP65
IK rating	IK03
Nominal Product Length (mm)	197
Nominal Product Width (mm)	197
Nominal Product Height (mm)	53
Weight (kg)	0.588

Packaging

Product EAN number	5410288417349
Packaging single length / height (cm)	23.0
Packaging single width (cm)	15.0
Packaging single depth (cm)	7.0
DUN14 (inner)	05410288417349
Units per outer package	5
Packaging outer length / height (cm)	42.2
Packaging outer width (cm)	25.2
Packaging outer depth (cm)	13.2