

# SylSafe Bay ST C EM3 NM MS

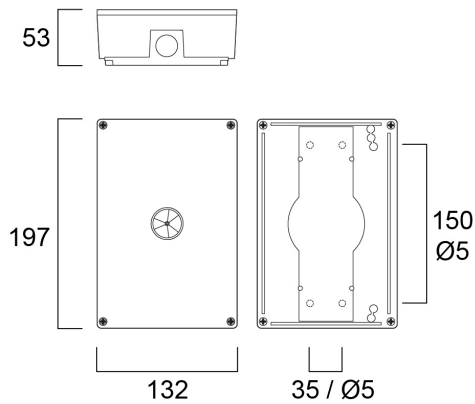
Item No: 0041744



SylSafe Bay ST C EM3 NM MS is a dust and waterproof surface mounted emergency luminaire for industrial applications. Standard Lambertian optics. Non-maintained 3hr emergency duration with NiMH rechargeable battery. Recharge period 24 hours. 217lm, 3W, IK03, IP65. Power Factor 0.44. Class II electrical construction.

## Technical Assets

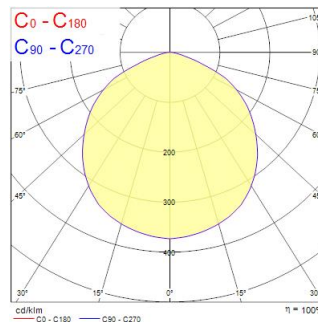
### Dimensions (mm)



### Photometrics

Distance [m]	Cone diameter [m]	Beam diameter [m]	Beam angle [°]	Illuminance [lx]
0.5	1.45	0.15	35.4°	308
1.0	2.90	0.30	35.4°	77
1.5	4.35	0.45	35.4°	34
2.0	5.80	0.60	35.4°	19
2.5	7.25	0.75	35.4°	12
3.0	8.70	0.90	35.4°	9

Distance [m]    Cone diameter [m]    Beam diameter [m]    Beam angle [°]    Illuminance [lx]  
 C0 - C180 (Half beam angle: 110.8°)



# SylSafe Bay ST C EM3 NM MS

Item No: 0041744

**SYLVANIA**

## General data

Product name	SylSafe Bay ST C EM3 NM MS
Technology	LED
Mount	Ceiling surface mounting
General application	Office, Hospitality, Retail, Museums & Galleries, Education, Logistics & Industry
ETIM Class	EC001957
Warranty	5 years

## Optical data

Fixture luminous flux (lm)	217
Luminaire efficacy (lm/W)	72
Correlated colour temperature (k)	5700
CRI (Ra)	75
Photobiological Risk Group	RG1
Luminous flux (emergency) (lm)	200

## Electrical data

Emergency duration (h)	3
Primary Supply/Product voltage - min (V)	220
Primary Supply/Product voltage - max (V)	240
Lamp power factor	0.44
Electrical protection	Class II
Control gear required	Yes
Drive current (mA)	30
Nominal Frequency (Hz)	50/60Hz

## Physical data

Housing colour	White
IP rating	IP65
IK rating	IK03
Nominal Product Length (mm)	197
Nominal Product Width (mm)	197
Nominal Product Height (mm)	53
Weight (kg)	0.588

## Packaging

Product EAN number	5410288417448
Packaging single length / height (cm)	23.0
Packaging single width (cm)	15.0
Packaging single depth (cm)	7.0
DUN14 (inner)	05410288417448
Units per outer package	5
Packaging outer length / height (cm)	42.2
Packaging outer width (cm)	25.2
Packaging outer depth (cm)	13.2