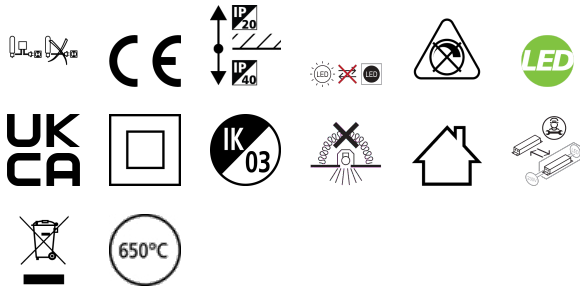


START Panel UGR19 600x600 3800Lm 830 LILO

Item No: 0042827

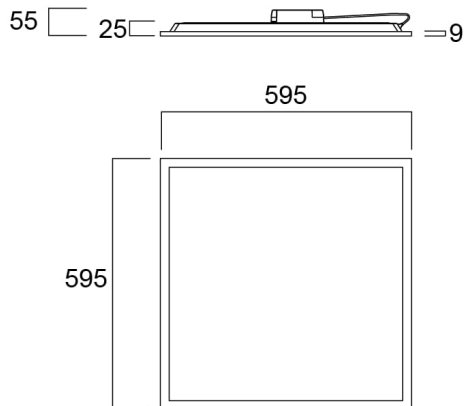
SYLVANIA



LED Panel with backlit technology, ideal for general indoor lighting applications such as breakout areas, offices and meeting rooms. Extruded aluminium frame, passive cooling. Low glaring UGR<19. RG0, 90 degree beam angle , optical system: PS diffuser with Prismatic finish. Light color temperature: 3000K Warm White, total system power: 36W , total fixture output: 3800lm, efficacy: 106 lm/W, Ra80 typical, LED chromacity: 3 step MacAdam ellipse (SDCM3), lifespan: 100,000 hours at 70% of the original output (L70B50), IR/UV free light source without heat radiation, operating voltage: 220-240V / 50-60Hz, low flicker, non dimmable driver, electrical protection: Class II. Degree of Protection: IP40/IP20, suitable for indoor environment only. Nominal size: 595x595mm, Loop in / loop out wiring, safety cables included, 25mm nominal height, White color frame, weight: 1,6Kg.

Technical Assets

Dimensions (mm)

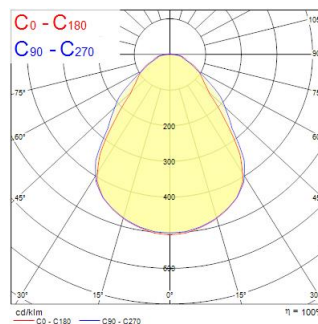


Photometrics

0.5	0.90 0.92	E171 E190 E200	7737 1877 1950
1.0	1.81 1.84	E171 E190 E200	1947 394 402
1.5	2.71 2.46	E171 E190 E200	865 178 201
2.0	3.61 3.27	E171 E190 E200	497 99 113
2.5	4.52 4.09	E171 E190 E200	311 62 72
3.0	5.42 4.91	E171 E190 E200	219 44 50

Distance [m] Cone diameter [m] Illuminance [lx]

— C0 - C180 (Half beam angle: 78.6°)
— C90 - C270 (Half beam angle: 84.2°)



START Panel UGR19 600x600 3800Lm 830 LILO

Item No: 0042827

SYLVANIA

General data

Product name	START Panel UGR19 600x600 3800Lm 830 LILO
Technology	LED (3 SDCM)
Cap/Base	N/A
Housing	Aluminium, Steel
Mount	Ceiling recessed mounting
Built in presence detector	NONE
General application	Education, Office
Operating temperature range (°C)	-10°C...+45°C
Performance ambient temperature Tq (°C)	25
Virtual assistant compatibility	N/A
ETIM Class	EC002892
E-number FI	4278456
Warranty	5 years

Optical data

Fixture luminous flux (lm)	3800
Luminaire efficacy (lm/W)	106
Correlated colour temperature (k)	3000
Light colour	Warm White
CRI (Ra)	80
Colour Variation Initial (SDCM)	SDCM3
Beam Angle (°)	90
Distribution type	Symmetric
Glare control	< 19
Photobiological Risk Group	RG0

Electrical data

Total power consumption (W)	36
Primary Supply/Product voltage - min (V)	220
Primary Supply/Product voltage - max (V)	240
Lamp power factor	0.9
THD (at 230 V, 50 Hz, full load, at 100% dimming level) ≤ xx.x %	20.0
Electrical protection	Class II
Control gear required	Yes
Control gear type	LED driver constant current
No. Of switching cycles before premature failures	>25000
Dimmable	No
Dimming method	N/A
Drive current (mA)	680
Inrush Current (A)	17
Inrush Duration (µs)	150
Energy Efficiency Class (A->G) of contained light source	D
Nominal Frequency (Hz)	50/60Hz
LED Flickering Rate	Ultra low (5% or less)
Max. products per 10A C Breaker	51
Max. products per 13A C Breaker	66
Max. products per 16A C Breaker	81
Max. products per 20A C Breaker	102
Max. products per 10A B Breaker	33
Max. products per 13A B Breaker	43
Max. products per 16A B Breaker	54
Max. products per 20A B Breaker	68
Connectable conductor cross section - Max (mm ²)	1.5

Lifetime data

Lifespan L70 B50	100000
Lifespan L80 B20	71000

START Panel UGR19 600x600 3800Lm 830 LILO

Item No: 0042827



Physical data

Housing colour	RAL 9003 - Signal white
IP rating	IP40/20
IK rating	IK03
Diffuser finish	Prismatic
Diffuser material	Other
Nominal Product Length (mm)	595
Nominal Product Width (mm)	595
Nominal Product Height (mm)	26
Weight (kg)	1.6

Packaging

Product EAN number	5410288428277
Packaging single length / height (cm)	60.0
Packaging single width (cm)	65.0
Packaging single depth (cm)	3.8
DUN14 (inner)	15410288428274
Units per outer package	4
Packaging outer length / height (cm)	69.0
Packaging outer width (cm)	65.0
Packaging outer depth (cm)	17.0

Safety data

Glow Wire Test (°C)	650
Optimal operating condition (°C)	-10-45