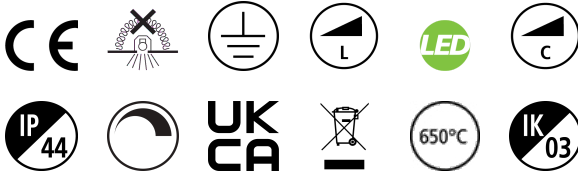


# START Surface IP44 2900lm 830/840 DualTone DIM

Item No: 0043429

**SYLVANIA**

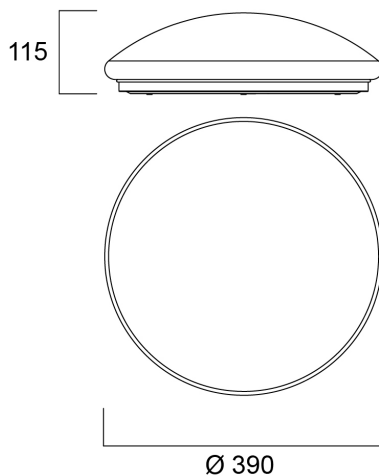
**START**<sup>TM</sup>



Ceiling / wall luminaire with integrated LED. Perfect solution for hallways, circulation spaces or foyer. Even and uniform light distribution with a halo lighting effect on the wall surface. Body Size diameter 390mm. Besa mounting box compatible, hole distance 51 & 78mm. DualTone functionality enables switch between 3000K and 4000K colour temperatures. Power 32W, output 2900 lumens (4000K). Dimmable, leading/trailing edge. IK03, IP44. Low maintenance with lifespan 90,000 hours L70:B50.

## Technical Assets

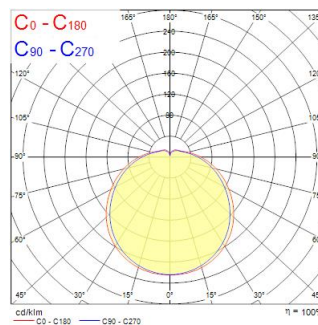
### Dimensions (mm)



### Photometrics

Distance [m]	Cone diameter [m]	Beam angle [°]	Beam diameter [m]	Beam diameter [ft]	Illuminance [lx]
0.5	2.02 2.38	134.6°	83.1"	100"	2974
1.0	4.05 4.76	134.6°	83.1"	28"	594
1.5	6.07 7.17	134.6°	83.1"	19"	264
2.0	8.09 9.56	134.6°	83.1"	14"	148
2.5	10.12 11.95	134.6°	83.1"	11"	96
3.0	12.14 14.34	134.6°	83.1"	8"	66

Distance [m]    Cone diameter [m]    Illuminance [lx]  
 — C0 - C180 (Half beam angle: 134.6°)  
 — C90 - C270 (Half beam angle: 127.4°)



# START Surface IP44 2900lm 830/840 DualTone DIM

Item No: 0043429

**SYLVANIA**

## General data

Product name	START Surface IP44 2900lm 830/840 DualTone DIM
Technology	LED
Cap/Base	N/A
Housing	Steel
Mount	Ceiling surface mounting
Built in presence detector	NONE
General application	Hospitality
Operating temperature range (°C)	-20°C...+40°C
Performance ambient temperature Tq (°C)	25
Virtual assistant compatibility	N/A
ETIM Class	EC002892
Warranty	3 years

## Optical data

Fixture luminous flux (lm)	2900
Luminaire efficacy (lm/W)	87
Light colour	Warm White or Neutral White
CRI (Ra)	80
Colour Variation Initial (SDCM)	SDCM6
Beam Angle (°)	120
Distribution type	Diffuse
Photobiological Risk Group	RG0

## Electrical data

Total power consumption (W)	32
Primary Supply/Product voltage - min (V)	220
Primary Supply/Product voltage - max (V)	240
Lamp power factor	0.9
THD (at 230 V, 50 Hz, full load, at 100% dimming level) ≤ xx.x %	20
Electrical protection	Class I
Control gear type	LED driver constant current
Dimmable	Yes
Dimming method	Mains: leading / trailing edge
Drive current (mA)	168
Inrush Current (A)	5
Inrush Duration (µs)	100
Energy Efficiency Class (A->G) of contained light source	E
Nominal Frequency (Hz)	50Hz
LED Flickering Rate	Medium (21% - 40%)
Max. products per 10A C Breaker	6
Max. products per 13A C Breaker	8
Max. products per 16A C Breaker	10
Max. products per 20A C Breaker	12
Max. products per 10A B Breaker	4
Max. products per 13A B Breaker	5
Max. products per 16A B Breaker	6
Max. products per 20A B Breaker	7
Connectable conductor cross section - Max (mm <sup>2</sup> )	2.5

## Lifetime data

Lifespan L70 B50	90000
Lifespan L80 B50	90000
Lifespan L90 B50	50000

# START Surface IP44 2900lm 830/840 DualTone DIM

Item No: 0043429

**SYLVANIA**

## Physical data

Housing colour	White
IP rating	IP44
IK rating	IK03
Diffuser finish	Opal
Diffuser material	Polypropylene
Nominal Product Height (mm)	115
Nominal Product Diameter (mm)	390
Weight (kg)	0.985

## Packaging

Product EAN number	5410288434292
Packaging single length / height (cm)	42.4
Packaging single width (cm)	12.8
Packaging single depth (cm)	42.7
DUN14 (inner)	15410288434299
Units per outer package	5
Packaging outer length / height (cm)	66.5
Packaging outer width (cm)	43.7
Packaging outer depth (cm)	44.5

## Safety data

Glow Wire Test (°C)	650
Optimal operating condition (°C)	-20-40