

# RUBICO LED 600x600 HE 4K DALI

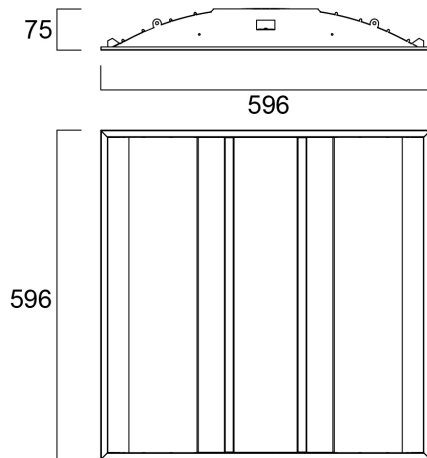
Item No: 0044276



RUBICO LED 600x600 HE 4K DALI is a direct / indirect low glare luminaire for office and education applications. Ceiling recessed 600x600mm. Micro Prismatic optics. White RAL 9016. DALI dimmable. 4000K Neutral White LED, Typical CRI=85, chromaticity tolerance of 3-step MacAdam ellipse, lumen package of 3,500lm, total power consumption 31W, efficacy of 113lm/W. Lifespan 100,000 hours @ L80B20, UGR<19. IK07, IP20, Electrical Protection Class I. PC diffuser, Glow Wire test 850°C

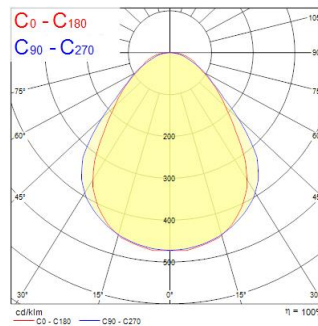
## Technical Assets

### Dimensions (mm)



### Photometrics

Distance [m]	Cone diameter [m]	Beam diameter [m]	Beam diameter [m]	Illuminance [lx]
0.5	1.02 0.86	0.71 0.59	0.59 0.48	6932 1103 1445
1.0	2.05 1.72	1.42 1.16	1.16 0.94	1686 282 351
1.5	3.07 2.59	2.13 1.73	1.73 1.41	736 135 181
2.0	4.10 3.45	2.84 2.36	2.36 1.90	414 71 90
2.5	5.12 4.32	3.55 2.90	2.90 2.32	265 48 58
3.0	6.15 5.18	4.26 3.51	3.51 2.81	154 31 40



# RUBICO LED 600x600 HE 4K DALI

Item No: 0044276

**SYLVANIA**

## General data

Product name	RUBICO LED 600x600 HE 4K DALI
Technology	LED
Cap/Base	N/A
Housing	Steel
Mount	Ceiling recessed mounting
Built in presence detector	NONE
General application	Education, Hospitality, Office, Retail
Operating temperature range (°C)	-20°C...+50°C
Performance ambient temperature Tq (°C)	25
Virtual assistant compatibility	N/A
ETIM Class	EC002892
Warranty	5 years

## Optical data

Fixture luminous flux (lm)	3500
Luminaire efficacy (lm/W)	113
Correlated colour temperature (k)	4000
Light colour	Neutral White
CRI (Ra)	80
Colour Variation Initial (SDCM)	SDCM3
Distribution type	Symmetric
Glare control	< 19
Photobiological Risk Group	RG0

## Electrical data

Total power consumption (W)	31
Primary Supply/Product voltage - min (V)	230
Primary Supply/Product voltage - max (V)	240
Lamp power factor	0.98
THD (at 230 V, 50 Hz, full load, at 100% dimming level) ≤ xx.x %	6.1
Electrical protection	Class I
Control gear required	No
Control gear type	Electronic ballast
Dimmable	Yes
Dimming method	DALI
Drive current (mA)	600
Inrush Current (A)	26.5
Inrush Duration (µs)	180
Energy Efficiency Class (A->G) of contained light source	C
Nominal Frequency (Hz)	50/60Hz
Max. products per 10A C Breaker	21
Max. products per 13A C Breaker	28
Max. products per 16A C Breaker	35
Max. products per 20A C Breaker	45
Max. products per 10A B Breaker	13
Max. products per 13A B Breaker	17
Max. products per 16A B Breaker	21
Max. products per 20A B Breaker	27
Connectable conductor cross section - Min (mm <sup>2</sup> )	2.5
Connectable conductor cross section - Max (mm <sup>2</sup> )	2.5

## Lifetime data

Lifespan L70 B50	100000
Lifespan L80 B20	100000
Lifespan L90 B10	65000

# RUBICO LED 600x600 HE 4K DALI

Item No: 0044276

**SYLVANIA**

## Physical data

Housing colour	RAL 9016 - Traffic white / Bezel
IP rating	IP20
IK rating	IK07
Diffuser finish	Matt/satinized
Diffuser material	PC Polycarbonate
Nominal Product Length (mm)	596
Nominal Product Width (mm)	596
Nominal Product Height (mm)	75
Weight (kg)	3.4

## Packaging

Product EAN number	5410288442761
Packaging single length / height (cm)	65.0
Packaging single width (cm)	62.0
Packaging single depth (cm)	11.0
DUN14 (inner)	05410288442761
Units per outer package	1
Packaging outer length / height (cm)	65.0
Packaging outer width (cm)	62.0
Packaging outer depth (cm)	11.0

## Safety data

Glow Wire Test (°C)	850
Optimal operating condition (°C)	-20-50