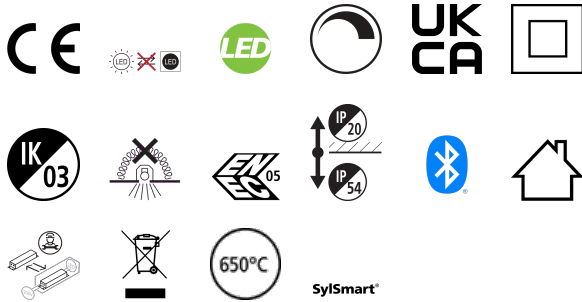


Quantum IP54 600x600 4300lm 830 SSA03

Item No: 0044605

SYLVANIA

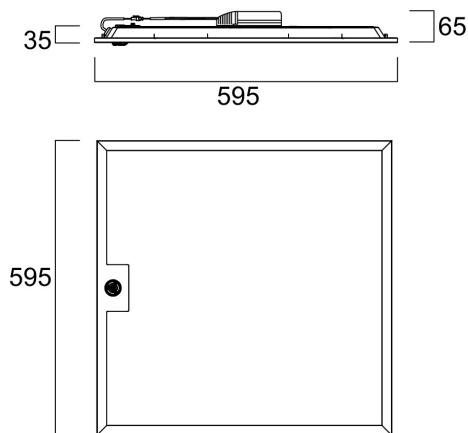
PROTM



Quantum is a range of recessed integrated LED panels for general indoor lighting applications such as breakout areas, offices and meeting rooms. Max. drive current: 600mA; Max. power: 28W; Lifespan: 120.000Hrs L70:B50; 3000K; CRI 80; Efficacy up to: 154Lm/W; Fixture lumen: 4300lm; Glare control <19; IK03; IP54 (from the front); Class II; Equipped with SylSmart Connected sensor. Tp(a) rated diffuser that self-extinguishes within 5 sec when a flame has been removed.

Technical Assets

Dimensions (mm)



Photometrics

Quantum IP54 600x600 4300lm 830 SSA03

Item No: 0044605

SYLVANIA

General data

Product name	Quantum IP54 600x600 4300lm 830 SSA03
Technology	LED
Cap/Base	N/A
Housing	Steel
Mount	Ceiling recessed mounting
Built in presence detector	NONE
General application	Office, Education
Operating temperature range (°C)	-20°C...+40°C
Virtual assistant compatibility	N/A
ETIM Class	EC002892
E-number FI	4279699
Warranty	5 years

Optical data

Fixture luminous flux (lm)	4300
Luminaire efficacy (lm/W)	154
Correlated colour temperature (k)	3000
Light colour	Warm White
CRI (Ra)	80
Colour Variation Initial (SDCM)	SDCM3
Beam Angle (°)	85
Distribution type	Symmetric
Glare control	< 19
Photobiological Risk Group	RG0

Electrical data

Emergency type	
Total power consumption (W)	28
Primary Supply/Product voltage - min (V)	220.0
Primary Supply/Product voltage - max (V)	240.0
Lamp power factor	0.9
THD (at 230 V, 50 Hz, full load, at 100% dimming level) ≤ xx.x %	10.0
Electrical protection	Class II
Control gear type	LED driver constant current
Dimmable	Yes
Dimming method	SylSmart Connected (SSA)
Drive current (mA)	600
Inrush Current (A)	15
Inrush Duration (µs)	220
Energy Efficiency Class (A->G) of contained light source	B
Nominal Frequency (Hz)	50/60Hz
LED Flickering Rate	Ultra low (5% or less)
Max. products per 10A C Breaker	15
Max. products per 13A C Breaker	20
Max. products per 16A C Breaker	25
Max. products per 20A C Breaker	31
Max. products per 10A B Breaker	9
Max. products per 13A B Breaker	12
Max. products per 16A B Breaker	15
Max. products per 20A B Breaker	19
Connectable conductor cross section - Min (mm ²)	0.75
Connectable conductor cross section - Max (mm ²)	2.5

Quantum IP54 600x600 4300lm 830 SSA03

Item No: 0044605

SYLVANIA

Lifetime data

Lifespan L70 B50	120000
Lifespan L70 B20	120000
Lifespan L70 B10	120000
Lifespan L80 B50	105000
Lifespan L80 B20	95000
Lifespan L80 B10	85000
Lifespan L90 B50	51000
Lifespan L90 B20	47000
Lifespan L90 B10	44000

Physical data

Housing colour	RAL 9003 - Signal white
IP rating	IP54/20
IK rating	IK03
Diffuser finish	Diffuse
Diffuser material	PS Polystyrene
Nominal Product Length (mm)	595
Nominal Product Width (mm)	595
Nominal Product Height (mm)	35
Weight (kg)	2.15

Packaging

Product EAN number	5410288446059
Packaging single length / height (cm)	67.1
Packaging single width (cm)	5.5
Packaging single depth (cm)	59.8
DUN14 (inner)	15410288446056
Units per outer package	4
Packaging outer length / height (cm)	68.4
Packaging outer width (cm)	24.2
Packaging outer depth (cm)	61.6

Safety data

Glow Wire Test (°C)	650
Optimal operating condition (°C)	-20-40