

# START eco Flood Flat IP54 PIR 4500lm 840

Item No: 0047971

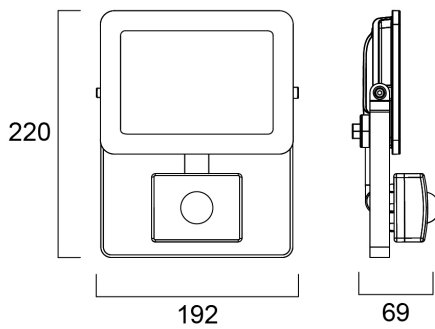
**SYLVANIA**



The new Start eco Flood Flat comes with improved design. The streamlined, durable, lightweight die-cast aluminium body makes it a perfect choice for building facades, car parks, garages and construction areas. The product includes 1 m pre-wired stripped cable and fitting bracket for quick and easy installation and the universal mounting bracket allows wall or surface mounting with the possibility of vertical tilting. Black die-cast aluminum housing, white reflector, 4750 lm, 51 W, 93 lm/W, 4000K, drive current 193 mA, non dimmable, CRI>80, IP54, IK07 - fixture, IK05 - sensor, Class I, lumen maintenance L70:B50: 30000 hrs, 193 x 216 x 70 mm (L x W x H). Weight: 0.85kg. PIR sensor included. Energy class: A++ A+ A.

## Technical Assets

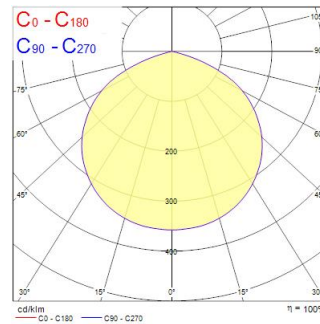
### Dimensions (mm)



### Photometrics

Distance [m]	Cone diameter [m]	Beam diameter [m]	Illuminance [lx]
0.5	1.61	0.70	6790
1.0	3.23	1.40	1698
1.5	4.84	2.10	756
2.0	6.45	2.80	425
2.5	8.06	3.50	272
3.0	9.68	4.20	189

Distance [m] Cone diameter [m] Illuminance [lx]  
 — C0 - C180 (Half beam angle: 116.4°)



# START eco Flood Flat IP54 PIR 4500lm 840

Item No: 0047971

**SYLVANIA**

## General data

Product name	START eco Flood Flat IP54 PIR 4500lm 840
Technology	LED
Housing	Aluminium
Built in presence detector	PIR
General application	Residential & Consumer
Operating temperature range (°C)	-20°C...+40°C
Performance ambient temperature Tq (°C)	25
ETIM Class	EC001744
Warranty	3 years

## Optical data

Fixture luminous flux (lm)	4750
Luminaire efficacy (lm/W)	93
Correlated colour temperature (k)	4000
Light colour	Neutral White
CRI (Ra)	80
Beam Angle (°)	110
Photobiological Risk Group	RG1

## Electrical data

Total power consumption (W)	51
Primary Supply/Product voltage - min (V)	220
Primary Supply/Product voltage - max (V)	240
Lamp power factor	0.9
Electrical protection	Class I
Drive current (mA)	193
Inrush Current (A)	19.8
Inrush Duration (µs)	590
Nominal Frequency (Hz)	50/60Hz
Max. products per 10A C Breaker	13
Max. products per 13A C Breaker	18
Max. products per 16A C Breaker	22
Max. products per 20A C Breaker	27
Max. products per 10A B Breaker	6
Max. products per 13A B Breaker	9
Max. products per 16A B Breaker	11
Max. products per 20A B Breaker	14
Mains surge immunity (differential mode -> L-N) (kV)	1
Mains surge immunity (common mode -> L/N - GND) (kV)	2

## Lifetime data

Lifespan L70 B50	30000
------------------	-------

## Physical data

Housing colour	RAL 9017 - Traffic black
IP rating	IP54
IK rating	IK05
Nominal Product Length (mm)	193
Nominal Product Width (mm)	216
Nominal Product Height (mm)	70
Weight (kg)	0.85
Wind Area (m <sup>2</sup> )	0.049

# START eco Flood Flat IP54 PIR 4500lm 840

Item No: 0047971



## Packaging

Product EAN number	5410288479712
Packaging single length / height (cm)	19.6
Packaging single width (cm)	9.6
Packaging single depth (cm)	21.8
DUN14 (inner)	15410288479719
Units per outer package	5
Packaging outer length / height (cm)	50.2
Packaging outer width (cm)	21.6
Packaging outer depth (cm)	25.1

## Safety data

Optimal operating condition (°C) | -20-40