

START Panel 600x600 3000-4700lm 830/840 MP

Item No: 0048093

SYLVANIA

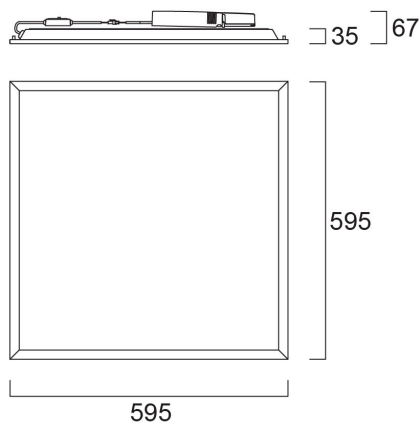
STARTTM



START Panel is a range of recessed integrated LED panels for general indoor lighting applications such as breakout areas, offices and meeting rooms. With the help of DIP Switch multiple lumen outputs can be set up in 4 steps and with the CCT switch the customer is enabled to switch between 3000K and 4000K colour temperatures (3000K: 21W 3000lm, 25W 3550lm, 29W 4000lm, 33W 4450lm; 4000K: 21W 3150lm, 25W 3750lm, 29W 4200lm, 33W 4700lm). Max. drive current: 850mA; Lifespan: 100.000Hrs L80:B50; CRI 80; Efficacy up to: 150Lm/W; Glare control <22; IK03; IP40 (from the front); Class II; Tp(b) rated diffuser that may not burn at a speed of more than 50mm per minute. Lumen output in Emergency mode: 540lm @4000K.

Technical Assets

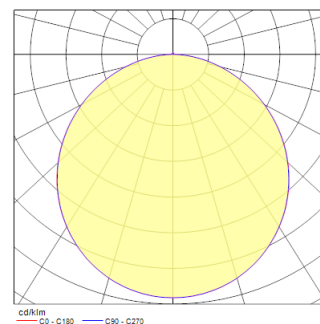
Dimensions (mm)



Photometrics

Distance [m]	Cone diameter [m]	Beam diameter [m]	Beam diameter [ft]	Illuminance [lx]
0.5	1.52	1.52	5.0'	6072
1.0	3.03	3.04	10.0'	1518
1.5	4.55	4.57	15.0'	675
2.0	6.07	6.09	20.0'	379
2.5	7.58	7.61	25.0'	243
3.0	9.10	9.13	30.0'	169

Distance [m] Cone diameter [m] Illuminance [lx]
 — C2 - C180 (Half beam angle: 113.4°) — C90 - C270 (Half beam angle: 113.2°)



START Panel 600x600 3000-4700lm 830/840 MP

Item No: 0048093

SYLVANIA

General data

Product name	START Panel 600x600 3000-4700lm 830/840 MP
Technology	LED
Cap/Base	N/A
Housing	Steel
Mount	Ceiling recessed mounting
Built in presence detector	NONE
General application	Office, Education
Operating temperature range (°C)	5°C...+25°C
Virtual assistant compatibility	N/A
ETIM Class	EC002892
E-number FI	4289279
Warranty	5 years

Optical data

Fixture luminous flux (lm)	4700
Luminaire efficacy (lm/W)	142
Light colour	Warm White or Neutral White
CRI (Ra)	80
Colour Variation Initial (SDCM)	SDCM3
Beam Angle (°)	85
Distribution type	Symmetric
Glare control	< 22
Photobiological Risk Group	RG0

Electrical data

Emergency type	
Total power consumption (W)	33
Primary Supply/Product voltage - min (V)	220.0
Primary Supply/Product voltage - max (V)	240.0
Lamp power factor	0.9
THD (at 230 V, 50 Hz, full load, at 100% dimming level) ≤ xx.x %	15.0
Electrical protection	Class II
Control gear type	LED driver constant current
Dimmable	No
Dimming method	N/A
Drive current (mA)	850
Inrush Current (A)	31
Inrush Duration (µs)	19
Energy Efficiency Class (A->G) of contained light source	C
Nominal Frequency (Hz)	50/60Hz
LED Flickering Rate	Ultra low (5% or less)
Max. products per 10A C Breaker	37
Max. products per 13A C Breaker	48
Max. products per 16A C Breaker	61
Max. products per 20A C Breaker	75
Max. products per 10A B Breaker	23
Max. products per 13A B Breaker	29
Max. products per 16A B Breaker	36
Max. products per 20A B Breaker	45
Connectable conductor cross section - Min (mm ²)	0.75
Connectable conductor cross section - Max (mm ²)	2.5

START Panel 600x600 3000-4700lm 830/840 MP

Item No: 0048093

SYLVANIA

Lifetime data

Lifespan L70 B50	100000
Lifespan L70 B20	100000
Lifespan L70 B10	100000
Lifespan L80 B50	100000
Lifespan L80 B20	100000
Lifespan L80 B10	92000
Lifespan L90 B50	58000
Lifespan L90 B20	49000
Lifespan L90 B10	45000

Physical data

Housing colour	RAL 9003 - Signal white
IP rating	IP40/20
IK rating	IK03
Diffuser finish	Diffuse
Diffuser material	PS Polystyrene
Nominal Product Length (mm)	595
Nominal Product Width (mm)	595
Nominal Product Height (mm)	35
Weight (kg)	2.0

Packaging

Product EAN number	5410288480930
Packaging single length / height (cm)	64.5
Packaging single width (cm)	3.5
Packaging single depth (cm)	60.0
DUN14 (inner)	15410288480937
Units per outer package	4
Packaging outer length / height (cm)	66.5
Packaging outer width (cm)	16.8
Packaging outer depth (cm)	62.8

Safety data

Glow Wire Test (°C)	650
Optimal operating condition (°C)	5-25