

START Panel UGR19 600x600 4700lm 830/840 SSA01D

Item No: 0048097

SYLVANIA

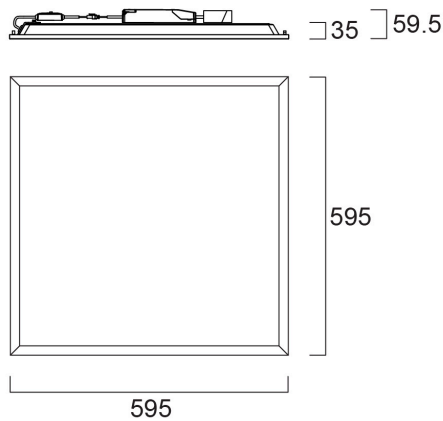
STARTTM



START Panel is a range of recessed integrated LED panels for general indoor lighting applications such as breakout areas, offices and meeting rooms. With the CCT switch the customer is enabled to switch between 3000K and 4000K colour temperatures. Max. lumen output: 4700lm; Max. drive current: 850mA; Lifespan: 100.000Hrs L80:B50; CRI 80; Efficacy up to: 138Lm/W; Glare control <19; IK03; IP40 (from the front); Class II; Tp(b) rated diffuser that may not burn at a speed of more than 50mm per minute. SylSmart Connected (SSA) enabled.

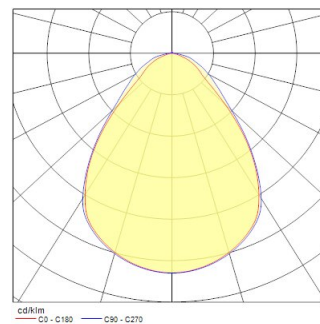
Technical Assets

Dimensions (mm)



Photometrics

Distance [m]	Cone diameter [m]	Beam diameter [m]	Beam diameter [ft]	Illuminance [lx]
0.5	0.88	0.87	2.85	903
			2.85	290
1.0	1.76	1.73	5.70	227
			5.70	93
1.5	2.64	2.60	8.50	154
			8.50	57
2.0	3.53	3.46	11.30	98
			11.30	47
2.5	4.41	4.33	14.10	67
			14.10	37
3.0	5.29	5.20	17.00	50
			17.00	31



START Panel UGR19 600x600 4700lm 830/840 SSA01D

Item No: 0048097

SYLVANIA

General data

Product name	START Panel UGR19 600x600 4700lm 830/840 SSA01D
Technology	LED
Cap/Base	N/A
Housing	Steel
Mount	Ceiling recessed mounting
Built in presence detector	NONE
General application	Office, Education
Operating temperature range (°C)	5°C...+25°C
Virtual assistant compatibility	N/A
ETIM Class	EC002892
Warranty	5 years

Optical data

Fixture luminous flux (lm)	4700
Luminaire efficacy (lm/W)	132
Light colour	Warm White or Neutral White
CRI (Ra)	80
Colour Variation Initial (SDCM)	SDCM3
Beam Angle (°)	85
Distribution type	Symmetric
Glare control	< 19
Photobiological Risk Group	RG0

Electrical data

Emergency type	
Total power consumption (W)	34
Primary Supply/Product voltage - min (V)	220.0
Primary Supply/Product voltage - max (V)	240.0
Lamp power factor	0.9
THD (at 230 V, 50 Hz, full load, at 100% dimming level) ≤ xx.x %	10.0
Electrical protection	Class II
Control gear type	LED driver constant current
Dimmable	Yes
Dimming method	SylSmart Connected (SSA)
Drive current (mA)	850
Inrush Current (A)	20
Inrush Duration (µs)	25
Energy Efficiency Class (A->G) of contained light source	C
Nominal Frequency (Hz)	50/60Hz
LED Flickering Rate	Ultra low (5% or less)
Max. products per 10A C Breaker	42
Max. products per 13A C Breaker	55
Max. products per 16A C Breaker	69
Max. products per 20A C Breaker	84
Max. products per 10A B Breaker	25
Max. products per 13A B Breaker	33
Max. products per 16A B Breaker	40
Max. products per 20A B Breaker	51
Connectable conductor cross section - Min (mm ²)	0.75
Connectable conductor cross section - Max (mm ²)	2.5

Lifetime data

Lifespan L70 B50	100000
------------------	--------

START Panel UGR19 600x600 4700lm 830/840 SSA01D

Item No: 0048097



Physical data

Housing colour	RAL 9003 - Signal white
IP rating	IP40/20
IK rating	IK03
Diffuser finish	Diffuse
Diffuser material	PS Polystyrene
Nominal Product Length (mm)	595
Nominal Product Width (mm)	595
Nominal Product Height (mm)	35
Weight (kg)	2.0

Packaging

Product EAN number	5410288480978
Packaging single length / height (cm)	62.8
Packaging single width (cm)	3.5
Packaging single depth (cm)	60.0
DUN14 (inner)	15410288480975
Units per outer package	4
Packaging outer length / height (cm)	64.1
Packaging outer width (cm)	16.2
Packaging outer depth (cm)	61.8

Safety data

Glow Wire Test (°C)	650
Optimal operating condition (°C)	5-25