

START Surface IP66 900-2950LM 840 IK10 BLK

Item No: 0049295

SYLVANIA

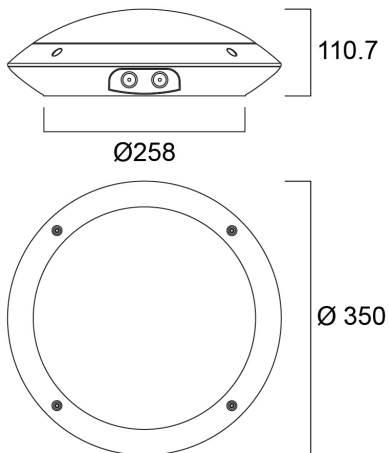
STARTTM



LED exterior surface mounted luminaire, 350mm diameter, 2950lm as max. lumen output, can be adjusted down to 900lm by internal switch, max 24W power consumption, max 133lm/W efficacy, 4000K color temperature, CRI80, non-dimmable, IP66, IK10, 100,000 hours (L70B50) Lifespan, black housing, vandal resistant, supplied with anti-theft screws

Technical Assets

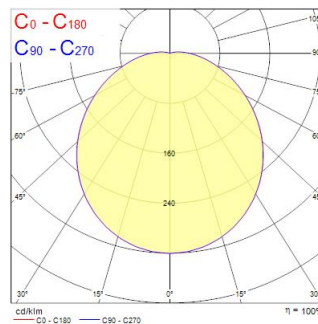
Dimensions (mm)



Photometrics

| Distance [m] | Cone diameter [m] | Beam diameter [m] | Beam diameter [ft] | Illuminance [lx] |
|--------------|-------------------|-------------------|--------------------|------------------|
| 0.5 | 1.45 | 1.45 | 4.76 | 1154 |
| 1.0 | 2.90 | 2.90 | 9.51 | 289 |
| 1.5 | 4.35 | 4.46 | 14.63 | 133 |
| 2.0 | 5.80 | 5.95 | 19.52 | 72 |
| 2.5 | 7.25 | 7.44 | 24.41 | 46 |
| 3.0 | 8.70 | 8.93 | 29.30 | 31 |

Distance [m] Cone diameter [m] Illuminance [lx]
 — C0 - C180 (Half beam angle: 112.2°)
 — C90 - C270 (Half beam angle: 111.8°)



START Surface IP66 900-2950LM 840 IK10 BLK

Item No: 0049295

SYLVANIA

General data

| | |
|---|--|
| Product name | START Surface IP66 900-2950LM 840 IK10 BLK |
| Technology | LED |
| Cap/Base | N/A |
| Housing | PC Polycarbonate |
| Mount | Ceiling surface mounting, Wall surface mounted |
| Built in presence detector | NONE |
| Environment | Indoor, Outdoor |
| General application | Hospitality |
| Operating temperature range (°C) | -20°C...+40°C |
| Performance ambient temperature Tq (°C) | 25 |
| Virtual assistant compatibility | N/A |
| ETIM Class | EC002892 |
| E-number FI | 4579596 |
| Warranty | 5 years |

Optical data

| | |
|-----------------------------------|--------------------|
| Fixture luminous flux (lm) | 2950 |
| Luminaire efficacy (lm/W) | 123 |
| Correlated colour temperature (k) | 4000 |
| Light colour | Neutral White |
| CRI (Ra) | 80 |
| Colour Variation Initial (SDCM) | SDCM5 |
| Distribution type | Diffuse, Symmetric |
| Photobiological Risk Group | RG0 |

Electrical data

| | |
|--|-----------------------------|
| Total power consumption (W) | 24 |
| Primary Supply/Product voltage - min (V) | 220.0 |
| Primary Supply/Product voltage - max (V) | 240.0 |
| Lamp power factor | 0.95 |
| THD (at 230 V, 50 Hz, full load, at 100% dimming level) ≤ xx.x % | 15 |
| Electrical protection | Class II |
| Control gear type | LED driver constant current |
| No. Of switching cycles before premature failures | >50000 |
| Dimmable | No |
| Dimming method | N/A |
| Inrush Current (A) | 10 |
| Energy Efficiency Class (A->G) of contained light source | D |
| Nominal Frequency (Hz) | 50/60Hz |
| Max. products per 10A C Breaker | 38 |
| Max. products per 13A C Breaker | 47 |
| Max. products per 16A C Breaker | 57 |
| Max. products per 20A C Breaker | 66 |
| Max. products per 10A B Breaker | 30 |
| Max. products per 13A B Breaker | 38 |
| Max. products per 16A B Breaker | 45 |
| Connectable conductor cross section - Max (mm ²) | 2.5 |

Lifetime data

| | |
|------------------|--------|
| Lifespan L70 B50 | 100000 |
| Lifespan L80 B50 | 100000 |
| Lifespan L90 B50 | 71000 |

START Surface IP66 900-2950LM 840 IK10 BLK

Item No: 0049295

SYLVANIA

Physical data

| | |
|-------------------------------|---------------------------|
| Housing colour | RAL 9011 - Graphite black |
| IP rating | IP66 |
| IK rating | IK10 |
| Diffuser finish | Diffuse |
| Diffuser material | PC Polycarbonate |
| Nominal Product Height (mm) | 111 |
| Nominal Product Diameter (mm) | 350 |
| Weight (kg) | 1.25 |

Packaging

| | |
|---------------------------------------|----------------|
| Product EAN number | 5410288492957 |
| Packaging single length / height (cm) | 35.0 |
| Packaging single width (cm) | 35.0 |
| Packaging single depth (cm) | 11.1 |
| DUN14 (inner) | 15410288492954 |
| Units per outer package | 8 |
| Packaging outer length / height (cm) | 72.0 |
| Packaging outer width (cm) | 37.0 |
| Packaging outer depth (cm) | 49.0 |

Safety data

| | |
|----------------------------------|--------|
| Glow Wire Test (°C) | 650 |
| Optimal operating condition (°C) | -20-40 |