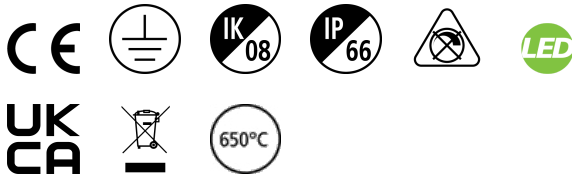


# Zephyr Large 10000LM 4K CLI Grey Photocell

Item No: 0050090

**SYLVANIA**

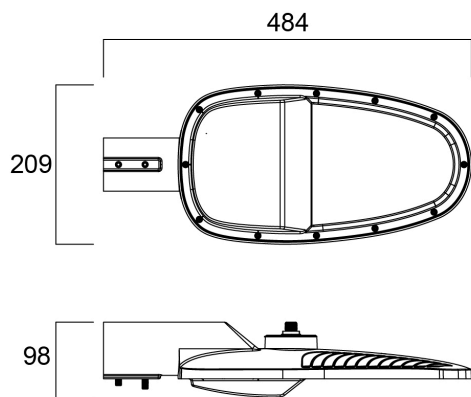
**PRO**<sup>TM</sup>



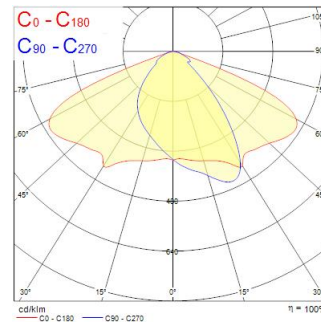
LED Lantern complete with photocell, 60mm side entry spigot and supplied with 0.5 metre mains supply cable, die-cast aluminium housing, polycarbonate cover, IP66, IK08, Class I, 4000K (Neutral White), Non-dimmable, 10000lm, 81W, 123lm/W, CRI80, Lifespan 90,000hrs L70:B50, (LxWxD) 484 x 209 x 98mm. The integrated photocell is turning on the light at 10-16lx and turning it off when it is above 65lx.

## Technical Assets

### Dimensions (mm)



### Photometrics



# Zephyr Large 10000LM 4K CLI Grey Photocell

Item No: 0050090

**SYLVANIA**

## General data

Product name	Zephyr Large 10000LM 4K CLI Grey Photocell
Technology	LED
Cap/Base	N/A
Housing	Aluminium
General application	Education, Hospitality, Logistics & Industry, Office, Retail
Operating temperature range (°C)	-30°C...+50°C
Performance ambient temperature Tq (°C)	25
ETIM Class	EC000062
Warranty	5 years

## Optical data

Fixture luminous flux (lm)	10000
Luminaire efficacy (lm/W)	123
Correlated colour temperature (k)	4000
Light colour	Neutral White
CRI (Ra)	80
Colour Variation Initial (SDCM)	SDCM5
Photobiological Risk Group	RG1

## Electrical data

Total power consumption (W)	81
Primary Supply/Product voltage - min (V)	220
Primary Supply/Product voltage - max (V)	240
Lamp power factor	0.9
THD (at 230 V, 50 Hz, full load, at 100% dimming level) ≤ xx.x %	15
Electrical protection	Class I
No. Of switching cycles before premature failures	>25000
Dimmable	No
Dimming method	N/A
Drive current (mA)	1900
Inrush Current (A)	9
Inrush Duration (µs)	500
Energy Efficiency Class (A->G) of contained light source	D
Nominal Frequency (Hz)	50/60Hz
LED Flickering Rate	Ultra low (5% or less)
Max. products per 10A C Breaker	7
Max. products per 13A C Breaker	9
Max. products per 16A C Breaker	11
Max. products per 20A C Breaker	14
Max. products per 10A B Breaker	4
Max. products per 13A B Breaker	5
Max. products per 16A B Breaker	6
Max. products per 20A B Breaker	7

## Lifetime data

Lifespan L70 B50	90000
Lifespan L80 B50	90000
Lifespan L80 B20	90000

# Zephyr Large 10000LM 4K CLI Grey Photocell

Item No: 0050090

**SYLVANIA**

## Physical data

Housing colour	Grey
IP rating	IP66
IK rating	IK08
Diffuser material	PC Polycarbonate
Nominal Product Length (mm)	484
Nominal Product Width (mm)	209
Nominal Product Height (mm)	98
Weight (kg)	3.0

## Packaging

Product EAN number	5410288500904
Packaging single length / height (cm)	51.7
Packaging single width (cm)	24.7
Packaging single depth (cm)	14.5
DUN14 (inner)	05410288500904
Units per outer package	1
Packaging outer length / height (cm)	51.7
Packaging outer width (cm)	24.7
Packaging outer depth (cm)	14.5

## Safety data

Glow Wire Test (°C)	650
Optimal operating condition (°C)	-30-50