

Start Flood Flat IP65 950LM 830 Black

Item No: 0050105

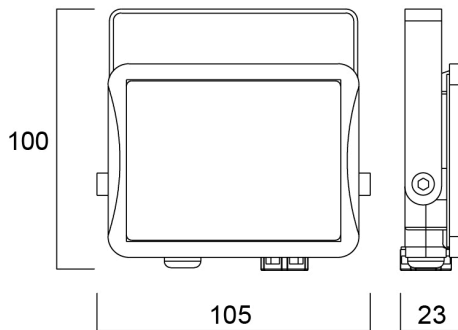
SYLVANIA



The streamlined, durable, lightweight die-cast aluminium body makes Start Flood Flat a perfect choice for building facades, car parks, garages and construction areas. The product includes 1 m pre-wired stripped cable and fitting bracket for quick and easy installation and the universal mounting bracket allows wall or surface mounting with the possibility of vertical tilting. Black (RAL9017) housing, white reflector, 950 lm, 9 W, 106 lm/W, 3000K, non dimmable, CRI>80, IP65, IK06, Class I, lifespan L70:B50: 90000 hrs, 100 x 105 x 23 mm (L x W x H). Weight: 0.32kg.

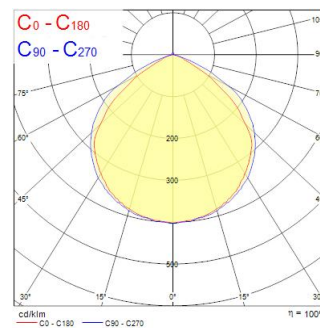
Technical Assets

Dimensions (mm)



Photometrics

Distance [m]	Cone diameter [m]	Beam diameter [m]	Beam diameter [ft]	Illuminance [lx]
0.5	1.45	0.17	0.56'	1533
	1.22	0.14	0.46'	134
		0.11	0.36'	136
1.0	2.97	0.34	1.12'	382
	2.43	0.28	0.92'	33
		0.22	0.72'	48
1.5	4.45	0.51	1.67'	170
	3.65	0.44	1.44'	115
		0.35	1.15'	52
2.0	5.93	0.68	2.23'	96
	4.87	0.59	1.94'	41
		0.47	1.54'	5
2.5	7.41	0.86	2.82'	61
	6.09	0.73	2.40'	9
		0.58	1.90'	5
3.0	8.90	1.04	3.41'	42
	7.30	0.88	2.88'	4
		0.70	2.30'	5



Start Flood Flat IP65 950LM 830 Black

Item No: 0050105

SYLVANIA

General data

Product name	Start Flood Flat IP65 950LM 830 Black
Technology	LED
Cap/Base	N/A
General application	Residential & Consumer
Operating temperature range (°C)	-20°C...+40°C
ETIM Class	EC001744
Warranty	3 years

Optical data

Fixture luminous flux (lm)	950
Luminaire efficacy (lm/W)	106
Correlated colour temperature (k)	3000
Light colour	Warm White
CRI (Ra)	80
Colour Variation Initial (SDCM)	SDCM5
Beam Angle (°)	110
Photobiological Risk Group	RG1

Electrical data

Total power consumption (W)	9
Primary Supply/Product voltage - min (V)	220
Primary Supply/Product voltage - max (V)	240
Lamp power factor	0.9
Electrical protection	Class I
Dimmable	No
Dimming method	N/A
Drive current (mA)	19
Inrush Current (A)	18
Inrush Duration (µs)	125
Energy Efficiency Class (A->G) of contained light source	E
Nominal Frequency (Hz)	50/60Hz
LED Flickering Rate	Low (6% - 20%)
Max. products per 10A C Breaker	17
Max. products per 13A C Breaker	22
Max. products per 16A C Breaker	28
Max. products per 20A C Breaker	34
Max. products per 10A B Breaker	10
Max. products per 13A B Breaker	13
Max. products per 16A B Breaker	17
Max. products per 20A B Breaker	21

Lifetime data

Lifespan L70 B50	90000
Lifespan L80 B50	85000
Lifespan L80 B20	54000

Start Flood Flat IP65 950LM 830 Black

Item No: 0050105

SYLVANIA

Physical data

Housing colour	Black
IP rating	IP65
IK rating	IK06
Nominal Product Length (mm)	100
Nominal Product Width (mm)	105
Nominal Product Height (mm)	23
Weight (kg)	0.32

Packaging

Product EAN number	5410288501055
Packaging single length / height (cm)	13.0
Packaging single width (cm)	5.5
Packaging single depth (cm)	15.5
DUN14 (inner)	15410288501052
Units per outer package	6
Packaging outer length / height (cm)	36.0
Packaging outer width (cm)	14.5
Packaging outer depth (cm)	17.5

Safety data

Glow Wire Test (°C)	650
Optimal operating condition (°C)	-20-40