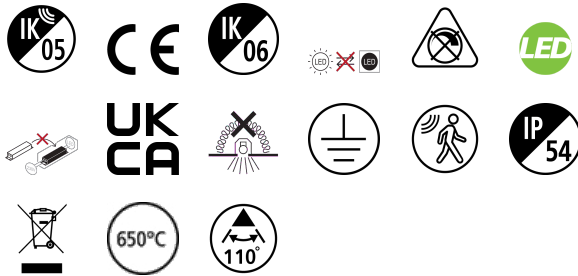


Start Flood Flat IP54 PIR 1000LM 840 Black

Item No: 0050130

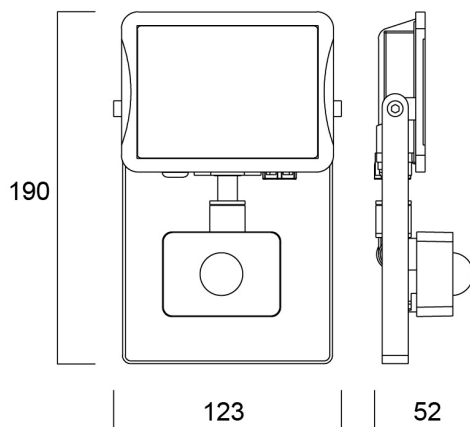
SYLVANIA



The streamlined, durable, lightweight die-cast aluminium body makes Start Flood Flat a perfect choice for building facades, car parks, garages and construction areas. The product includes 1 m pre-wired stripped cable and fitting bracket for quick and easy installation and the universal mounting bracket allows wall or surface mounting with the possibility of vertical tilting. Black (RAL9017) housing, white reflector, 1000 lm, 10 W, 100 lm/W, 4000K, non dimmable, CRI>80, IP54, IK06 - fixture, IK05 - sensor, Class I, lifespan L70:B50: 90000 hrs, 190 x 123 x 52 mm (L x W x H). Weight: 0.475kg. PIR sensor included.

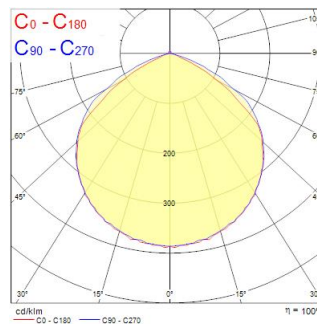
Technical Assets

Dimensions (mm)



Photometrics

| Distance [m] | Cone diameter [m] | Beam diameter [m] | Illuminance [lx] |
|--------------|-------------------|-------------------|------------------|
| 0.5 | 1.51 1.34 | 0.07 0.06 | 1544 131 |
| 1.0 | 3.01 2.67 | 0.14 0.12 | 386 213 |
| 1.5 | 4.52 4.01 | 0.21 0.18 | 172 85 |
| 2.0 | 6.02 5.35 | 0.28 0.24 | 97 11 |
| 2.5 | 7.53 6.68 | 0.35 0.30 | 62 4 |
| 3.0 | 9.03 8.02 | 0.42 0.36 | 43 4 |



Start Flood Flat IP54 PIR 1000LM 840 Black

Item No: 0050130

SYLVANIA

General data

| | |
|----------------------------------|--|
| Product name | Start Flood Flat IP54 PIR 1000LM 840 Black |
| Technology | LED |
| Cap/Base | N/A |
| Housing | Aluminium |
| Mount | Wall surface mounted, Ceiling surface mounting |
| Built in presence detector | PIR |
| General application | Residential & Consumer |
| Operating temperature range (°C) | -20°C...+40°C |
| Virtual assistant compatibility | N/A |
| ETIM Class | EC001744 |
| E-number FI | 4579539 |
| Warranty | 3 years |

Optical data

| | |
|-----------------------------------|---------------|
| Fixture luminous flux (lm) | 1000 |
| Luminaire efficacy (lm/W) | 100 |
| Correlated colour temperature (k) | 4000 |
| Light colour | Neutral White |
| CRI (Ra) | 80 |
| Colour Variation Initial (SDCM) | SDCM5 |
| Beam Angle (°) | 110 |
| Distribution type | Symmetric |
| Photobiological Risk Group | RG1 |

Electrical data

| | |
|--|-----------------------------|
| Total power consumption (W) | 10.0 |
| Primary Supply/Product voltage - min (V) | 220 |
| Primary Supply/Product voltage - max (V) | 240 |
| Lamp power factor | 0.9 |
| THD (at 230 V, 50 Hz, full load, at 100% dimming level) ≤ xx.x % | 20 |
| Electrical protection | Class I |
| Control gear type | LED driver constant current |
| Dimmable | No |
| Dimming method | N/A |
| Drive current (mA) | 19 |
| Inrush Current (A) | 18.6 |
| Inrush Duration (µs) | 150 |
| Energy Efficiency Class (A->G) of contained light source | E |
| Nominal Frequency (Hz) | 50/60Hz |
| LED Flickering Rate | Low (6% - 20%) |
| Max. products per 10A C Breaker | 17 |
| Max. products per 13A C Breaker | 22 |
| Max. products per 16A C Breaker | 27 |
| Max. products per 20A C Breaker | 33 |
| Max. products per 10A B Breaker | 10 |
| Max. products per 13A B Breaker | 13 |
| Max. products per 16A B Breaker | 16 |
| Max. products per 20A B Breaker | 20 |
| Connectable conductor cross section - Min (mm ²) | 0.5 |
| Connectable conductor cross section - Max (mm ²) | 1.5 |

Lifetime data

| | |
|------------------|-------|
| Lifespan L70 B50 | 90000 |
| Lifespan L80 B50 | 85000 |
| Lifespan L80 B20 | 54000 |

Start Flood Flat IP54 PIR 1000LM 840 Black

Item No: 0050130

SYLVANIA

Physical data

| | |
|-----------------------------|-----------------------|
| Housing colour | Black |
| IP rating | IP54 |
| IK rating | IK06 |
| IK rating of sensor | IK05 |
| Diffuser finish | Transparent |
| Diffuser material | Safety tempered glass |
| Reflector finish | Not Applicable |
| Nominal Product Length (mm) | 190 |
| Nominal Product Width (mm) | 123 |
| Nominal Product Height (mm) | 52 |
| Weight (kg) | 0.475 |

Packaging

| | |
|---------------------------------------|----------------|
| Product EAN number | 5410288501307 |
| Packaging single length / height (cm) | 13.0 |
| Packaging single width (cm) | 6.0 |
| Packaging single depth (cm) | 20.0 |
| DUN14 (inner) | 15410288501304 |
| Units per outer package | 6 |
| Packaging outer length / height (cm) | 39.0 |
| Packaging outer width (cm) | 14.5 |
| Packaging outer depth (cm) | 22.0 |

Safety data

| | |
|----------------------------------|--------|
| Glow Wire Test (°C) | 650 |
| Optimal operating condition (°C) | -20-40 |