

START eco Downlight 5in1 55-175 2000LM PIR

Item No: 0053394

SYLVANIA

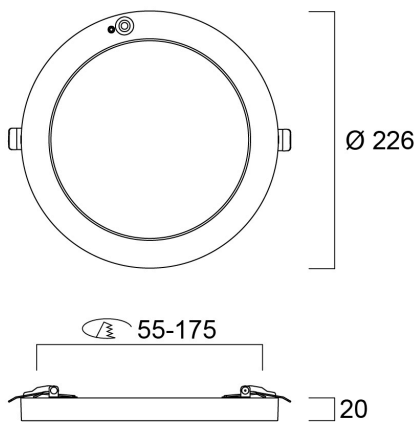
STARTTM



START eco Downlight 5in1 is an integrated LED recessed / surface mounted downlight with built in non dimmable driver and PIR sensor. PIR sensor with time settings (3 min max) and adjustable daylight lux level. Colour temperature (3000K, 4000K and 6500K) can be chosen by a 3-way switch located on the back of the fixture. Adaptability to various cut-outs from 55mm to 175mm. 21W, 2000lm, 95lm/W.

Technical Assets

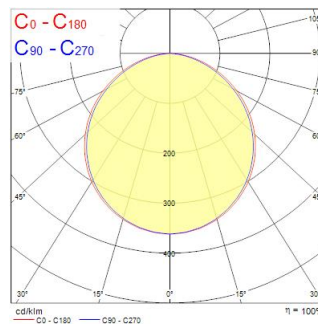
Dimensions (mm)



Photometrics

Distance [m]	Cone diameter [m]	Beam diameter [m]	Beam diameter [in]	Illuminance [lx]
0.5	1.41 1.48	0.07 0.08	54.7" 56.1"	240 228
1.0	2.82 2.96	0.14 0.16	54.7" 56.1"	615 59
1.5	4.24 4.46	0.21 0.24	54.7" 56.1"	273 26
2.0	5.65 5.95	0.28 0.32	54.7" 56.1"	154 15
2.5	7.06 7.44	0.35 0.40	54.7" 56.1"	98 9
3.0	8.47 8.93	0.42 0.48	54.7" 56.1"	68 7

Distance [m] Cone diameter [m] Illuminance [lx]
 — C0 - C180 (Half beam angle: 112.2°)
 — C90 - C270 (Half beam angle: 109.4°)



START eco Downlight 5in1 55-175 2000LM PIR

Item No: 0053394

SYLVANIA

General data

Product name	START eco Downlight 5in1 55-175 2000LM PIR
Technology	LED
Housing	PC Polycarbonate
Mount	Ceiling recessed mounting
Built in presence detector	PIR
General application	Residential & Consumer
Operating temperature range (°C)	-20°C...+25°C
Performance ambient temperature Tq (°C)	25
ETIM Class	EC001744
E-number FI	4278104
Warranty	3 years

Optical data

Fixture luminous flux (lm)	2000
Luminaire efficacy (lm/W)	95
Correlated colour temperature (k)	4000
CRI (Ra)	80
Colour Variation Initial (SDCM)	SDCM6
Beam Angle (°)	110
Distribution type	Symmetric
Glare control	< 25
Photobiological Risk Group	RG0

Electrical data

Total power consumption (W)	21
THD (at 230 V, 50 Hz, full load, at 100% dimming level) ≤ xx.x %	22
Electrical protection	Class II
Control gear type	LED driver constant current
Dimmable	No
Drive current (mA)	210
Inrush Current (A)	25
Inrush Duration (µs)	100
Energy Efficiency Class (A->G) of contained light source	D
Nominal Frequency (Hz)	50/60Hz
LED Flickering Rate	Ultra low (5% or less)
Max. products per 10A C Breaker	71
Max. products per 13A C Breaker	93
Max. products per 16A C Breaker	114
Max. products per 20A C Breaker	143

Lifetime data

Lifespan L70 B50	30000
------------------	-------

Physical data

Housing colour	RAL 9003 - Signal white
IP rating	IP20
IK rating	IK03
Nominal Product Length (mm)	226
Nominal Product Width (mm)	226
Nominal Product Height (mm)	20
Nominal Product Diameter (mm)	226
Weight (kg)	0.465
Recessed Depth (mm)	50

START eco Downlight 5in1 55-175 2000LM PIR

Item No: 0053394

SYLVANIA

Packaging

Product EAN number	5410288533940
Packaging single length / height (cm)	24.0
Packaging single width (cm)	23.0
Packaging single depth (cm)	4.7
DUN14 (inner)	15410288533947
Units per outer package	14
Packaging outer length / height (cm)	50.4
Packaging outer width (cm)	35.8
Packaging outer depth (cm)	25.3

Safety data

Glow Wire Test (°C)	650
Optimal operating condition (°C)	-20-25