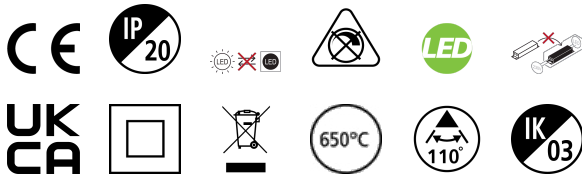


START eco Downlight 5in1 55-175 1850LM

Item No: 0053414

SYLVANIA

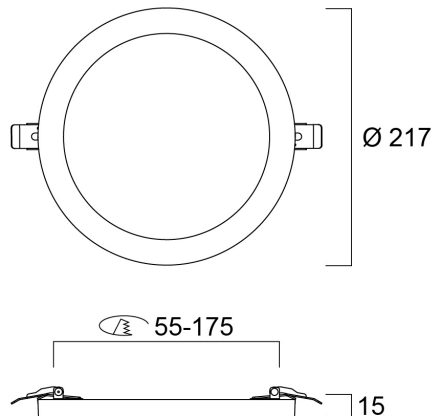
STARTTM



START eco Downlight 5in1 is an integrated LED recessed / surface mounted downlight with built in non dimmable driver. Colour temperature (3000K, 4000K and 6500K) can be adjusted by a 3-way switch located on the back of the fixture. Adaptability to various cut-outs from 55mm to 175mm. 18W, 1850lm, 103lm/W.

Technical Assets

Dimensions (mm)

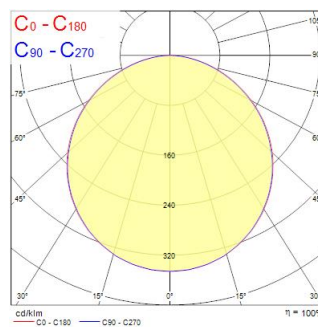


Photometrics

Distance (m)	Cone diameter (m)	Beam diameter (m)	Beam diameter (ft)	Illuminance (lx)
0.5	1.45 1.52	0.07	0.23'	260
1.0	2.99 3.04	0.07	0.23'	65
1.5	4.48 4.57	0.07	0.23'	28
2.0	5.98 6.09	0.07	0.23'	16
2.5	7.47 7.61	0.07	0.23'	10
3.0	8.96 9.13	0.07	0.23'	7

Distance (m) Cone diameter (m) Illuminance (lx)

— C0 - C180 (Half beam angle: 113.4°)
— C90 - C270 (Half beam angle: 112.4°)



START eco Downlight 5in1 55-175 1850LM

Item No: 0053414

SYLVANIA

General data

Product name	START eco Downlight 5in1 55-175 1850LM
Technology	LED
Housing	PC Polycarbonate
Mount	Ceiling recessed mounting
General application	Residential & Consumer
Operating temperature range (°C)	-20°C...+40°C
Performance ambient temperature Tq (°C)	40
ETIM Class	EC001744
E-number FI	4278101
Warranty	3 years

Optical data

Fixture luminous flux (lm)	1850
Luminaire efficacy (lm/W)	103
Correlated colour temperature (k)	4000
CRI (Ra)	80
Colour Variation Initial (SDCM)	SDCM6
Beam Angle (°)	110
Distribution type	Symmetric
Glare control	< 24
Photobiological Risk Group	RG0

Electrical data

Total power consumption (W)	18
THD (at 230 V, 50 Hz, full load, at 100% dimming level) ≤ xx.x %	22
Electrical protection	Class II
Control gear type	LED driver constant current
Dimmable	No
Drive current (mA)	190
Inrush Current (A)	25
Inrush Duration (µs)	100
Energy Efficiency Class (A->G) of contained light source	D
Nominal Frequency (Hz)	50/60Hz
LED Flickering Rate	Ultra low (5% or less)
Max. products per 10A C Breaker	71
Max. products per 13A C Breaker	93
Max. products per 16A C Breaker	114
Max. products per 20A C Breaker	143

Lifetime data

Lifespan L70 B50	30000
------------------	-------

Physical data

Housing colour	RAL 9003 - Signal white
IP rating	IP20
IK rating	IK03
Nominal Product Length (mm)	217
Nominal Product Width (mm)	217
Nominal Product Height (mm)	15
Nominal Product Diameter (mm)	217
Weight (kg)	0.459
Recessed Depth (mm)	50

START eco Downlight 5in1 55-175 1850LM

Item No: 0053414



Packaging

Product EAN number	5410288534145
Packaging single length / height (cm)	24.7
Packaging single width (cm)	23.4
Packaging single depth (cm)	4.8
DUN14 (inner)	15410288534142
Units per outer package	14
Packaging outer length / height (cm)	51.8
Packaging outer width (cm)	36.5
Packaging outer depth (cm)	25.7

Safety data

Glow Wire Test (°C)	650
Optimal operating condition (°C)	-20-40