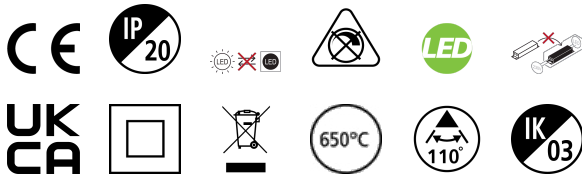


# START eco Downlight 5in1 55-250 2500LM

Item No: 0053416

**SYLVANIA**

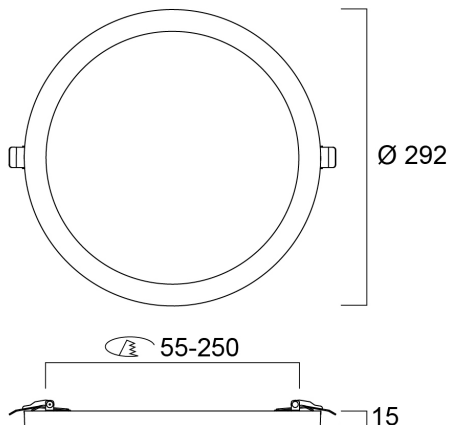
**START**<sup>TM</sup>



START eco Downlight 5in1 is an integrated LED recessed / surface mounted downlight with built in non dimmable driver. Colour temperature (3000K, 4000K and 6500K) can be adjusted by a 3-way switch located on the back of the fixture. Adaptability to various cut-outs from 55mm to 250mm. 23W, 2500lm, 109lm/W.

## Technical Assets

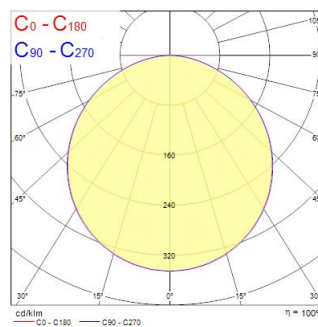
### Dimensions (mm)



### Photometrics

Distance [m]	Cone diameter [m]	Beam diameter [m]	Beam diameter [ft]	Illuminance [lx]
0.5	1.51 1.50	Ø171 Ø160	56.3" 56.3"	2113 282
1.0	3.02 3.00	Ø342 Ø320	112.6" 104.3"	779 98
1.5	4.53 4.50	Ø513 Ø480	168.9" 157.5"	346 29
2.0	6.04 6.00	Ø684 Ø640	225.1" 210.0"	195 11
2.5	7.55 7.50	Ø855 Ø800	281.3" 264.0"	135 11
3.0	9.07 9.00	Ø1026 Ø960	337.5" 315.0"	85 7

Distance [m]    Cone diameter [m]    Illuminance [lx]  
 — C0 - C180 (Half beam angle: 112.0°)  
 — C90 - C270 (Half beam angle: 113.0°)



# START eco Downlight 5in1 55-250 2500LM

Item No: 0053416

**SYLVANIA**

## General data

Product name	START eco Downlight 5in1 55-250 2500LM
Technology	LED
Housing	PC Polycarbonate
Mount	Ceiling recessed mounting
General application	Residential & Consumer
Operating temperature range (°C)	-20°C...+40°C
Performance ambient temperature Tq (°C)	40
ETIM Class	EC001744
E-number FI	4278103
Warranty	3 years

## Optical data

Fixture luminous flux (lm)	2500
Luminaire efficacy (lm/W)	109
Correlated colour temperature (k)	4000
CRI (Ra)	80
Colour Variation Initial (SDCM)	SDCM6
Beam Angle (°)	110
Distribution type	Symmetric
Glare control	< 26
Photobiological Risk Group	RG0

## Electrical data

Total power consumption (W)	23
THD (at 230 V, 50 Hz, full load, at 100% dimming level) ≤ xx.x %	22
Electrical protection	Class II
Control gear type	LED driver constant current
Dimmable	No
Drive current (mA)	260
Inrush Current (A)	25
Inrush Duration (µs)	100
Energy Efficiency Class (A->G) of contained light source	D
Nominal Frequency (Hz)	50/60Hz
LED Flickering Rate	Ultra low (5% or less)
Max. products per 10A C Breaker	63
Max. products per 13A C Breaker	81
Max. products per 16A C Breaker	100
Max. products per 20A C Breaker	125

## Lifetime data

Lifespan L70 B50	30000
------------------	-------

## Physical data

Housing colour	RAL 9003 - Signal white
IP rating	IP20
IK rating	IK03
Nominal Product Height (mm)	15
Nominal Product Diameter (mm)	290
Weight (kg)	0.72
Recessed Depth (mm)	50

# START eco Downlight 5in1 55-250 2500LM

Item No: 0053416



## Packaging

Product EAN number	5410288534169
Packaging single length / height (cm)	31.2
Packaging single width (cm)	30.0
Packaging single depth (cm)	4.8
DUN14 (inner)	15410288534166
Units per outer package	8
Packaging outer length / height (cm)	41.4
Packaging outer width (cm)	33.5
Packaging outer depth (cm)	32.3

## Safety data

Glow Wire Test (°C)	650
Optimal operating condition (°C)	-20-40