

START SPOT LED IP65 3000K

Item No: 0053545

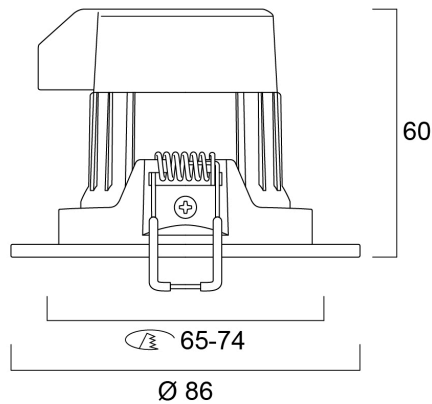
SYLVANIA



Integrated LED IP65 from the front fixed downlight, RAL9016, 540LM, 6.5W, 3000K, 100 degree beam angle, polycarbonate white body, low profile 60mm recessed depth, 86mm bezel diameter, 68-74mm cutout, frosted lens.

Technical Assets

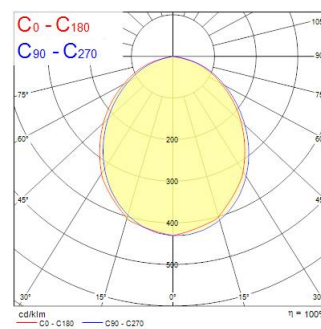
Dimensions (mm)



Photometrics

Distance [m]	Cone diameter [m]	Beam angle [°]	Beam diameter [m]	Illuminance [lx]
0.5	1.18	99.6°	1.18	896
1.0	2.37	99.6°	2.37	224
1.5	3.55	99.6°	3.55	96
2.0	4.73	99.6°	4.73	48
2.5	5.92	99.6°	5.92	30
3.0	7.10	99.6°	7.10	20

Distance [m] Cone diameter [m] Illuminance [lx]
C0 - C180 (Half beam angle: 99.6°)



START SPOT LED IP65 3000K

Item No: 0053545

SYLVANIA

General data

Product name	START SPOT LED IP65 3000K
Technology	LED
Housing	PC Polycarbonate
Mount	Ceiling recessed mounting
General application	Residential & Consumer
Operating temperature range (°C)	-10°C...+40°C
Performance ambient temperature Tq (°C)	25
ETIM Class	EC001744
E-number FI	4170526
E-number SE	7467947
Warranty	3 years

Optical data

Fixture luminous flux (lm)	540
Luminaire efficacy (lm/W)	83
LOR (%)	100
Correlated colour temperature (k)	3000
Light colour	Warm White
CRI (Ra)	80
Colour Variation Initial (SDCM)	SDCM6
Adjustable chromaticity	N
Beam Angle (°)	100
Distribution type	Direct
Glare control	< 33
Photobiological Risk Group	RG0

Electrical data

Total power consumption (W)	6.5
Lamp power factor	0.5
Electrical protection	Class II
Dimmable	No
Dimming method	N/A
Drive current (mA)	70
Inrush Current (A)	8
Inrush Duration (µs)	276
Nominal Frequency (Hz)	50/60Hz
LED Flickering Rate	Medium (21% - 40%)
Max. products per 10A C Breaker	9
Max. products per 13A C Breaker	12
Max. products per 16A C Breaker	13
Max. products per 20A C Breaker	13

Lifetime data

Lifespan L70 B50	25000
------------------	-------

Physical data

Housing colour	White
IP rating	IP65/20
IK rating	IK03
Diffuser finish	Opal
Diffuser material	PMMA Acrylic
Nominal Product Length (mm)	86
Nominal Product Width (mm)	86
Nominal Product Height (mm)	60
Nominal Product Diameter (mm)	86
Weight (kg)	0.076
Recessed Depth (mm)	60

START SPOT LED IP65 3000K

Item No: 0053545



Packaging

Product EAN number	5410288535456
Packaging single length / height (cm)	9.0
Packaging single width (cm)	7.5
Packaging single depth (cm)	9.0
DUN14 (inner)	15410288535453
Units per inner package	6
Packaging inner length / height (cm)	28.5
Packaging inner width (cm)	9.0
Packaging inner depth (cm)	19.0
DUN14 (outer)	25410288535450
Units per outer package	48
Packaging outer length / height (cm)	38.0
Packaging outer width (cm)	30.0
Packaging outer depth (cm)	40.5

Safety data

Glow Wire Test (°C)	650
Optimal operating condition (°C)	-10-40