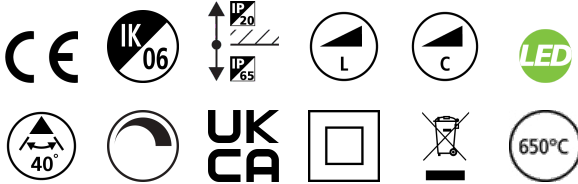


SYLFIRE LED FIXED 840 DIM WHITE DC

Item No: 0059822

SYLVANIA

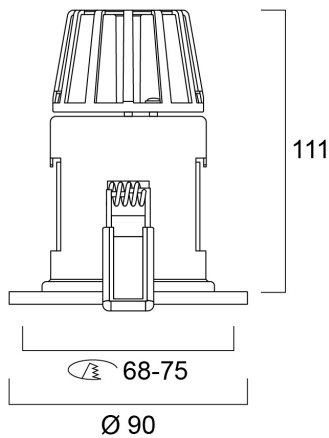
START



IP65 from the front LED downlight, fire rated for 30, 60 and 90 minutes. 8W up to 620 lumen output.

Technical Assets

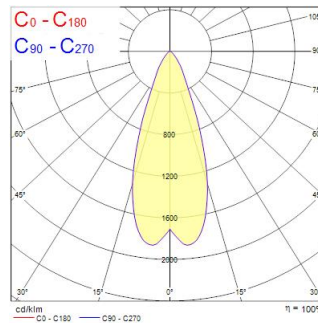
Dimensions (mm)



Photometrics

Distance [m]	Cone diameter [m]	Beam diameter [m]	Beam diameter [ft]	Illuminance [lx]
0.5	0.35	0.071	0.233	4542
1.0	0.70	0.142	0.466	1211
1.5	1.06	0.213	0.699	535
2.0	1.41	0.284	0.932	303
2.5	1.76	0.355	1.165	194
3.0	2.11	0.426	1.398	135

Distance [m] Cone diameter [m] Illuminance [lx]
 C0 - C180 (Half beam angle: 38.8°)



SYLFIRE LED FIXED 840 DIM WHITE DC

Item No: 0059822

SYLVANIA

General data

Product name	SYLFIRE LED FIXED 840 DIM WHITE DC
Technology	LED
Housing	Aluminium
Mount	Ceiling recessed mounting
Environment	Indoor
General application	Residential & Consumer
Operating temperature range (°C)	-10°C...+45°C
Performance ambient temperature Tq (°C)	25
ETIM Class	EC001744
Warranty	5 years

Optical data

Fixture luminous flux (lm)	700
Luminaire efficacy (lm/W)	88
Correlated colour temperature (k)	4000
Colour Code	840
Light colour	Neutral White
CRI (Ra)	80
Colour Variation Initial (SDCM)	SDCM6
Beam Angle (°)	40
Photobiological Risk Group	RG1
Lumen maintenance at end of nominal life (%)	70

Electrical data

Total power consumption (W)	8
Lamp power factor	0.85
Electrical protection	Class II
Dimmable	Yes
Dimming method	Mains: leading / trailing edge
Minimum dimming level (%)	10
Drive current (mA)	150
Inrush Current (A)	10
Inrush Duration (µs)	150
Nominal Frequency (Hz)	50/60Hz
Max. products per 10A C Breaker	60
Max. products per 13A C Breaker	80
Max. products per 16A C Breaker	100
Max. products per 20A C Breaker	120

Lifetime data

Lifespan L70 B50	50000
------------------	-------

Physical data

Housing colour	White
IP rating	IP65/20
IK rating	IK06
Diffuser finish	Opal
Diffuser material	PC Polycarbonate
Nominal Product Height (mm)	111
Nominal Product Diameter (mm)	90
Weight (kg)	0.441

SYLFIRE LED FIXED 840 DIM WHITE DC

Item No: 0059822



Packaging

Product EAN number	5410288598222
Packaging single length / height (cm)	13.5
Packaging single width (cm)	13.0
Packaging single depth (cm)	13.5
DUN14 (inner)	05410288598222
Units per outer package	20
Packaging outer length / height (cm)	68.1
Packaging outer width (cm)	29.6
Packaging outer depth (cm)	29.6

Safety data

Glow Wire Test (°C)	650
Optimal operating condition (°C)	-10-45