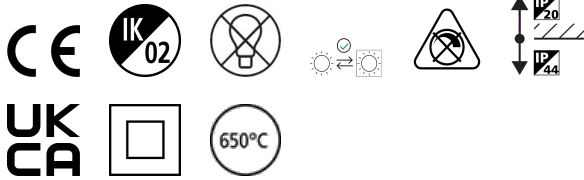


# Inset Trend 75 SW SQ IP44 WH NO-LMP

Item No: 0084104

**SYLVANIA**

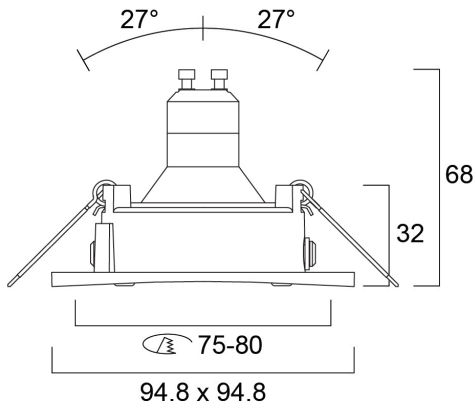
**PRO**<sup>TM</sup>



INSET TREND 75 SW SQ IP44 WH NO-LMP is the recessed housing frame to use with RefLED GU10 spotlight lamp Ø50mm - GU10 spotlight not included. Aluminium body, round bezel ring in white finish, IP44 degree of protection, class II, Suitable for internal environment only.

## Technical Assets

### Dimensions (mm)



### Photometrics

# Inset Trend 75 SW SQ IP44 WH NO-LMP

Item No: 0084104

**SYLVANIA**

## General data

Product name	Inset Trend 75 SW SQ IP44 WH NO-LMP
Technology	Light Source Not Integrated
Cap/Base	GU10
Housing	Aluminium
Mount	Ceiling recessed mounting
Built in presence detector	NONE
Environment	Indoor
General application	Hospitality, Residential & Consumer
Operating temperature range (°C)	-10°C...+40°C
Virtual assistant compatibility	N/A
ETIM Class	EC001744
E-number FI	4279667
Warranty	5 years

## Optical data

Fixture luminous flux (lm)	1
Light colour	N/A
Colour Variation Initial (SDCM)	N/A
Distribution type	Symmetric
Photobiological Risk Group	Not applicable

## Electrical data

Light source included	Fixture without Lightsource
Emergency type	
Total power consumption (W)	0.1
Supply current (A)	0.001
Primary Supply/Product voltage - min (V)	220.0
Primary Supply/Product voltage - max (V)	240.0
THD (at 230 V, 50 Hz, full load, at 100% dimming level) ≤ xx.x %	1
Electrical protection	Class II
Control gear required	No
Control gear type	Not required
Dimmable	No
Dimming method	N/A
Nominal Frequency (Hz)	50/60Hz
Max. products per 10A C Breaker	20
Max. products per 16A C Breaker	30
Connectable conductor cross section - Max (mm <sup>2</sup> )	1.5

## Physical data

Housing colour	White
IP rating	IP44/20
IK rating	IK02
Diffuser finish	Other
Diffuser material	None
Reflector finish	Not Applicable
Nominal Product Length (mm)	95
Nominal Product Width (mm)	95
Nominal Product Height (mm)	100
Built-in diameter (mm)	75
Weight (kg)	0.18
Recessed Depth (mm)	115

# Inset Trend 75 SW SQ IP44 WH NO-LMP

Item No: 0084104

**SYLVANIA**

## Packaging

Product EAN number	5410288841045
Packaging single length / height (cm)	13.0
Packaging single width (cm)	10.0
Packaging single depth (cm)	9.0
DUN14 (inner)	15410288841042
Units per outer package	30
Packaging outer length / height (cm)	52.5
Packaging outer width (cm)	27.5
Packaging outer depth (cm)	28.0

## Safety data

Glow Wire Test (°C)	650
Optimal operating condition (°C)	-10-40