

ToLEDo Retro Chroma A60 G/B/R/O E27 SL4

Item No: 0086310

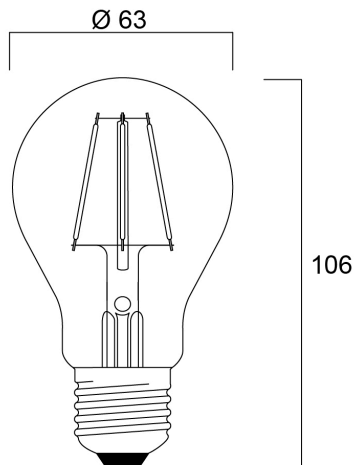
SYLVANIA



- Each LED filament is coated with a unique coloured fluorescent phosphor creating the most intense and saturated colours on the market, - Clear outer A60 bulb ensuring no light losses due to absorption by painted glass bulbs, ensuring high lumen output, - Full glass construction with no external lacquer coating to peel or scratch off when used outdoors, ensuring long-life colour, - IP54 water/dust/dirt resistant

Technical Assets

Dimensions (mm)



Photometrics

ToLEDo Retro Chroma A60 G/B/R/O E27 SL4

Item No: 0086310

SYLVANIA

General data

| | |
|---------------------|---|
| Product name | ToLEDo Retro Chroma A60 G/B/R/O E27 SL4 |
| Technology | LED |
| Lamp shape | Pear-shape |
| Cap/Base | E27 |
| Lamp finish | Clear |
| Fixture rating | Open |
| General application | SPG |
| ETIM Class | EC001959 |
| E-number FI | 4741157 |
| Warranty | 2 years |

Optical data

| | |
|---------------------------------|-------|
| Light colour | N/A |
| Colour Variation Initial (SDCM) | SDCM7 |
| Photobiological Risk Group | RG1 |

Electrical data

| | |
|--|---------|
| Wattage (W) | 4 |
| Primary Supply/Product voltage - min (V) | 230 |
| Primary Supply/Product voltage - max (V) | 240 |
| Control gear required | No |
| Dimmable | No |
| Nominal Frequency (Hz) | 50/60Hz |

Lifetime data

| | |
|--------------------------|-------|
| Average life (Rated) (h) | 10000 |
|--------------------------|-------|

Physical data

| | |
|-------------------------------|------|
| IP rating | IP54 |
| Nominal Product Height (mm) | 106 |
| Nominal Product Diameter (mm) | 60 |
| Weight (kg) | 0.11 |

Packaging

| | |
|---------------------------------------|----------------|
| Product EAN number | 5410288863108 |
| Packaging single length / height (cm) | 25.8 |
| Packaging single width (cm) | 7.1 |
| Packaging single depth (cm) | 13.2 |
| DUN14 (inner) | 15410288863105 |
| Units per outer package | 4 |
| Packaging outer length / height (cm) | 29.6 |
| Packaging outer width (cm) | 27.5 |
| Packaging outer depth (cm) | 14.9 |

Safety data

| | |
|-------------------------------------|-----|
| Breakage cleaning instructions | n/a |
| Special purpose lamp | Yes |
| Suitable for household illumination | Yes |