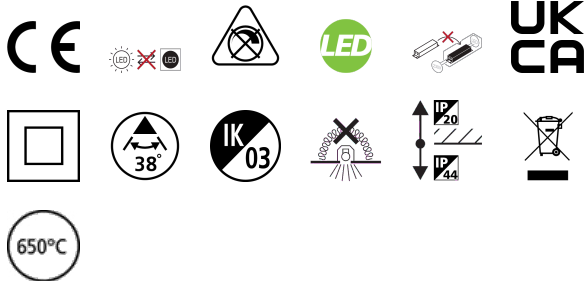


SYLSPOT 500LM 840 IP44 WHT

Item No: 0090012

SYLVANIA

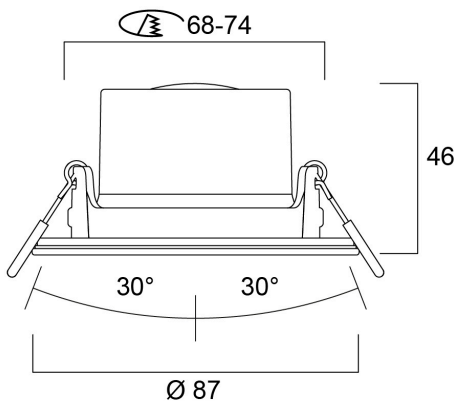
YourHome™



Integrated LED recessed spotlight, vertical tilt 30°, RAL9016 colour, 480lm, 5.0W, non-dimmable, 4000K, 38° degree beam angle, polycarbonate white body, low profile 47mm recessed depth, IP44 from the front, IK03, loop-in/loop-out terminals for fast wiring, 86mm bezel diameter, 68-74mm cutout, clear lens. Additional silver bezel included in the packaging.

Technical Assets

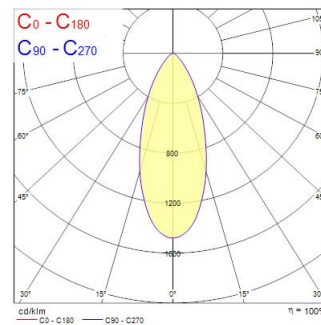
Dimensions (mm)



Photometrics

Distance [m]	Cone diameter [m]	Beam diameter [m]	Beam diameter [in]	Illuminance [lx]
0.5	0.37	507	20.0"	2967
1.0	0.75	507	20.0"	739
1.5	1.12	507	20.0"	323
2.0	1.50	507	20.0"	185
2.5	1.87	507	20.0"	98
3.0	2.24	507	20.0"	54

Distance [m] Cone diameter [m] Illuminance [lx]
C0 - C180 (Half beam angle: 41.0°)



SYLSPOT 500LM 840 IP44 WHT

Item No: 0090012

SYLVANIA

General data

Product name	SYLSPOT 500LM 840 IP44 WHT
Technology	LED
Cap/Base	N/A
Housing	PC Polycarbonate
Mount	Ceiling recessed mounting
Built in presence detector	NONE
Environment	Indoor
General application	Residential & Consumer
Operating temperature range (°C)	-10°C...+40°C
Performance ambient temperature Tq (°C)	25
Virtual assistant compatibility	N/A
ETIM Class	EC001744
Warranty	3 years

Optical data

Fixture luminous flux (lm)	500
Luminaire efficacy (lm/W)	104
Correlated colour temperature (k)	4000
Light colour	Cool White
CRI (Ra)	80
Colour Variation Initial (SDCM)	SDCM6
Beam Angle (°)	38
Distribution type	Symmetric
Photobiological Risk Group	RG1

Electrical data

Total power consumption (W)	4.8
Primary Supply/Product voltage - min (V)	220
Primary Supply/Product voltage - max (V)	240
Lamp power factor	0.5
THD (at 230 V, 50 Hz, full load, at 100% dimming level) ≤ xx.x %	155
Electrical protection	Class II
Control gear type	LED driver constant current
Dimmable	No
Dimming method	N/A
Drive current (mA)	15
Inrush Current (A)	11.8
Inrush Duration (µs)	220
Energy Efficiency Class (A->G) of contained light source	F
Nominal Frequency (Hz)	50/60Hz
LED Flickering Rate	Low (6% - 20%)
Max. products per 10A C Breaker	68
Max. products per 13A C Breaker	89
Max. products per 16A C Breaker	112
Max. products per 20A C Breaker	137
Max. products per 10A B Breaker	41
Max. products per 16A B Breaker	66
Connectable conductor cross section - Min (mm ²)	0.75
Connectable conductor cross section - Max (mm ²)	1.5

SYLSPOT 500LM 840 IP44 WHT

Item No: 0090012



Lifetime data

Lifespan L70 B50	57000
Lifespan L70 B20	54000
Lifespan L70 B10	53000
Lifespan L80 B50	36000
Lifespan L80 B20	34000
Lifespan L80 B10	33000
Lifespan L90 B50	17000
Lifespan L90 B20	16000
Lifespan L90 B10	16000

Physical data

Housing colour	RAL 9003 - Signal white
IP rating	IP44/20
IK rating	IK03
Diffuser finish	Other
Diffuser material	None
Reflector finish	Not Applicable
Nominal Product Height (mm)	45.5
Nominal Product Diameter (mm)	87
Weight (kg)	0.066

Packaging

Product EAN number	5410288900124
Packaging single length / height (cm)	9.0
Packaging single width (cm)	6.0
Packaging single depth (cm)	9.0
DUN14 (inner)	15410288900121
Units per inner package	6
Packaging inner length / height (cm)	28.5
Packaging inner width (cm)	8.0
Packaging inner depth (cm)	19.3
DUN14 (outer)	25410288900128
Units per outer package	48
Packaging outer length / height (cm)	32.4
Packaging outer width (cm)	30.5
Packaging outer depth (cm)	41.7

Safety data

Glow Wire Test (°C)	650
Optimal operating condition (°C)	-10-40