

# SYLSPOT 500LM 830 IP65 WHT 3-PACK

Item No: 0090022

**SYLVANIA**

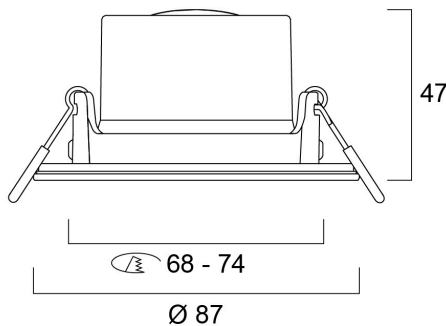
YourHome™



Integrated LED recessed spotlight, fixed, RAL9016 colour, 540lm, 6.5W, non-dimmable, 3000K, 38° degree beam angle, polycarbonate white body, low profile 47mm recessed depth, IP65 from the front, IK03, loop-in/loop-out terminals for fast wiring, 86mm bezel diameter, 68-74mm cutout, frosted lens. Additional silver bezel included in the packaging. Pack of 3 pieces.

## Technical Assets

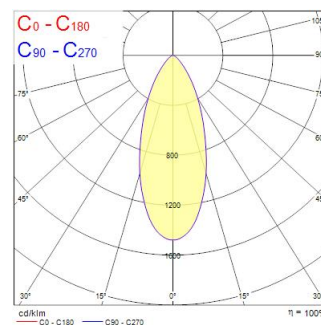
### Dimensions (mm)



### Photometrics

Distance [m]	Cone diameter [m]	Beam diameter [m]	Beam diameter [in]	Illuminance [lx]
0.5	0.37	100	3.94	2967
1.0	0.75	200	7.87	739
1.5	1.12	300	11.81	323
2.0	1.50	400	15.75	186
2.5	1.87	500	19.69	89
3.0	2.24	600	23.62	54

Distance [m] Cone diameter [m] Illuminance [lx]  
C0 - C180 (Half beam angle: 41.0°)



# SYLSPOT 500LM 830 IP65 WHT 3-PACK

Item No: 0090022

**SYLVANIA**

## General data

Product name	SYLSPOT 500LM 830 IP65 WHT 3-PACK
Technology	LED
Cap/Base	N/A
Housing	PC Polycarbonate
Mount	Ceiling recessed mounting
Built in presence detector	NONE
Environment	Indoor
General application	Residential & Consumer
Operating temperature range (°C)	-10°C...+40°C
Performance ambient temperature Tq (°C)	25
Virtual assistant compatibility	N/A
ETIM Class	EC001744
Warranty	3 years

## Optical data

Fixture luminous flux (lm)	500
Luminaire efficacy (lm/W)	104
Correlated colour temperature (k)	3000
Light colour	Warm White
CRI (Ra)	80
Colour Variation Initial (SDCM)	SDCM6
Beam Angle (°)	38
Distribution type	Symmetric
Photobiological Risk Group	RG1

## Electrical data

Total power consumption (W)	4.8
Primary Supply/Product voltage - min (V)	220
Primary Supply/Product voltage - max (V)	240
Lamp power factor	0.5
THD (at 230 V, 50 Hz, full load, at 100% dimming level) ≤ xx.x %	155
Electrical protection	Class II
Control gear type	LED driver constant current
Dimmable	No
Dimming method	N/A
Drive current (mA)	15
Inrush Current (A)	11.8
Inrush Duration (µs)	220
Energy Efficiency Class (A->G) of contained light source	F
Nominal Frequency (Hz)	50/60Hz
LED Flickering Rate	Low (6% - 20%)
Max. products per 10A C Breaker	68
Max. products per 13A C Breaker	89
Max. products per 16A C Breaker	112
Max. products per 20A C Breaker	137
Max. products per 10A B Breaker	41
Max. products per 16A B Breaker	66
Connectable conductor cross section - Min (mm <sup>2</sup> )	0.75
Connectable conductor cross section - Max (mm <sup>2</sup> )	1.5

# SYLSPOT 500LM 830 IP65 WHT 3-PACK

Item No: 0090022

**SYLVANIA**

## Lifetime data

Lifespan L70 B50	57000
Lifespan L70 B20	54000
Lifespan L70 B10	53000
Lifespan L80 B50	36000
Lifespan L80 B20	34000
Lifespan L80 B10	33000
Lifespan L90 B50	17000
Lifespan L90 B20	16000
Lifespan L90 B10	16000

## Physical data

Housing colour	RAL 9003 - Signal white
IP rating	IP65/20
IK rating	IK03
Diffuser finish	Other
Diffuser material	None
Reflector finish	Not Applicable
Nominal Product Height (mm)	47
Nominal Product Diameter (mm)	87
Weight (kg)	0.218

## Packaging

Product EAN number	5410288900223
Packaging single length / height (cm)	29.1
Packaging single width (cm)	10.0
Packaging single depth (cm)	5.8
DUN14 (inner)	15410288900220
Units per outer package	16
Packaging outer length / height (cm)	41.9
Packaging outer width (cm)	31.6
Packaging outer depth (cm)	27.2

## Safety data

Glow Wire Test (°C)	650
Optimal operating condition (°C)	-10-40