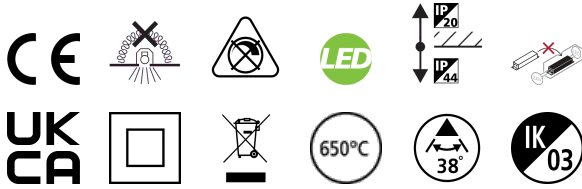


SylSpot Neos 400lm 830 IP44 3-PACK

Item No: 0090084

SYLVANIA

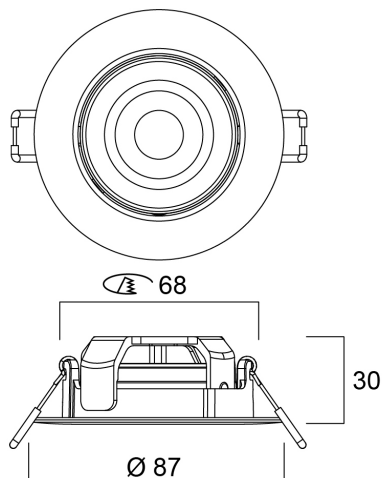
YourHome™



Integrated LED accent spotlight with ultra-low profile of 30mm (35mm for IP65 version which comes with fast terminals) IP44 SylSpot is ideal for kitchens and living rooms with 30° tilt and 360° rotation which allows you to place light exactly where you want to The unique lens gives the product the highly desirable "halogen sparkle Products available in elegant white finish Cut-out of 68mm allows direct replacement of most halogen spots installed in the market Good colour rendering index, CRI>80 Lifetime: 15,000 hours at L70

Technical Assets

Dimensions (mm)



Photometrics

SylSpot Neos 400lm 830 IP44 3-PACK

Item No: 0090084

SYLVANIA

General data

Product name	SylSpot Neos 400lm 830 IP44 3-PACK
Technology	LED
Cap/Base	N/A
Housing	Polymer
Mount	Ceiling recessed mounting
Built in presence detector	NONE
General application	Residential & Consumer
Operating temperature range (°C)	-10°C...+40°C
Virtual assistant compatibility	N/A
ETIM Class	EC001744
Warranty	3 years

Optical data

Fixture luminous flux (lm)	400
Luminaire efficacy (lm/W)	89
Correlated colour temperature (k)	3000
Light colour	Warm White
CRI (Ra)	80
Colour Variation Initial (SDCM)	SDCM6
Beam Angle (°)	38
Distribution type	Symmetric
Photobiological Risk Group	RG1

Electrical data

Emergency type	
Total power consumption (W)	4.8
Supply current (A)	0.02
Primary Supply/Product voltage - min (V)	220.0
Primary Supply/Product voltage - max (V)	240.0
Lamp power factor	0.5
THD (at 230 V, 50 Hz, full load, at 100% dimming level) ≤ xx.x %	150
Electrical protection	Class II
Control gear type	LED driver constant current
Dimmable	No
Dimming method	N/A
Inrush Current (A)	15
Inrush Duration (µs)	400
Energy Efficiency Class (A->G) of contained light source	E
Nominal Frequency (Hz)	50/60Hz
Max. products per 10A C Breaker	91
Max. products per 16A C Breaker	147
Max. products per 16A B Breaker	87
Connectable conductor cross section - Min (mm ²)	0.75
Connectable conductor cross section - Max (mm ²)	1.5

Lifetime data

Lifespan L70 B50	15000
Lifespan L80 B10	10000

SylSpot Neos 400lm 830 IP44 3-PACK

Item No: 0090084



Physical data

Housing colour	White
IP rating	IP44/20
IK rating	IK03
Diffuser finish	Frosted
Diffuser material	PC Polycarbonate
Reflector finish	Not Applicable
Nominal Product Height (mm)	30
Nominal Product Diameter (mm)	87
Weight (kg)	0.129

Packaging

Product EAN number	5410288900841
Packaging single length / height (cm)	29.2
Packaging single width (cm)	4.9
Packaging single depth (cm)	9.9
DUN14 (inner)	15410288900848
DUN14 (outer)	25410288900845
Units per outer package	16
Packaging outer length / height (cm)	41.3
Packaging outer width (cm)	30.6
Packaging outer depth (cm)	22.4

Safety data

Glow Wire Test (°C)	650
Optimal operating condition (°C)	-10-40