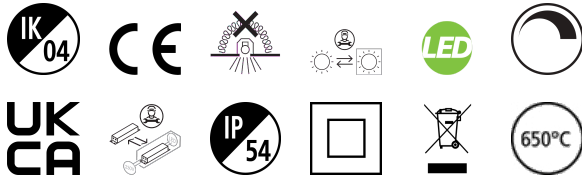


SylRadiance Step-DIM 1950LM

Item No: 0090133

SYLVANIA

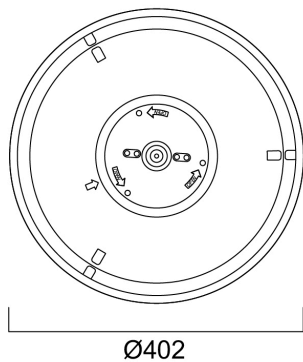
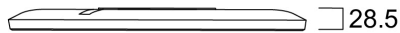
YourHome™



Integrated LED ceiling light available with suspension kit option High quality materials deliver consistent light quality, output and colour for its lifetime Halo ring effect function which visually pushes the luminaire forward from the background, giving the forward plane hierarchical priority 3-step dimmable levels: 100%, 50%, 10% Unique architecture, ultra-slim profile Available in 3 diameters: 235mm, 292mm, 400mm IP54 rated when installed as a ceiling light IP20 rated when suspended CRI > 80 Operating temperature range: -20 to +40°C Lifetime: 50,000hrs (L70B50) 3 years warranty

Technical Assets

Dimensions (mm)



Photometrics

SylRadiance Step-DIM 1950LM

Item No: 0090133

SYLVANIA

General data

Product name	SylRadiance Step-DIM 1950LM
Technology	LED
Cap/Base	N/A
Housing	Polymer
Mount	Ceiling surface mounting
Built in presence detector	NONE
General application	Residential & Consumer
Operating temperature range (°C)	-20°C...+40°C
Virtual assistant compatibility	N/A
ETIM Class	EC002892
Warranty	3 years

Optical data

Fixture luminous flux (lm)	1950
Luminaire efficacy (lm/W)	84
Correlated colour temperature (k)	3000
Light colour	Warm White
CRI (Ra)	80
Colour Variation Initial (SDCM)	SDCM6
Beam Angle (°)	105
Distribution type	Diffuse
Photobiological Risk Group	RG1

Electrical data

Emergency type	
Total power consumption (W)	22
Primary Supply/Product voltage - min (V)	220
Primary Supply/Product voltage - max (V)	240
Lamp power factor	0.9
THD (at 230 V, 50 Hz, full load, at 100% dimming level) ≤ xx.x %	45
Electrical protection	Class II
Control gear type	LED driver constant current
Dimmable	Yes
Dimming method	Switch-dim (mains-rated)
Energy Efficiency Class (A->G) of contained light source	E
Nominal Frequency (Hz)	50/60Hz
Max. products per 10A C Breaker	20
Max. products per 16A C Breaker	20
Max. products per 16A B Breaker	20
Connectable conductor cross section - Max (mm ²)	0.25

Lifetime data

Lifespan L70 B50	50000
Lifespan L80 B10	40000
Lifespan L90 B10	30000

Physical data

Housing colour	White
IP rating	IP54
IK rating	IK04
Diffuser finish	Frosted
Diffuser material	PMMA Acrylic
Nominal Product Height (mm)	28.5
Nominal Product Diameter (mm)	402
Weight (kg)	1.123

SylRadiance Step-DIM 1950LM

Item No: 0090133



Packaging

Product EAN number	5410288901336
Packaging single length / height (cm)	42.2
Packaging single width (cm)	44.2
Packaging single depth (cm)	6.5
DUN14 (inner)	15410288901333
Units per outer package	5
Packaging outer length / height (cm)	43.5
Packaging outer width (cm)	35.0
Packaging outer depth (cm)	46.0

Safety data

Glow Wire Test (°C)	650
Optimal operating condition (°C)	-20-40