

# OPTIX RECESSED 4 CELLS 3000K ALU DALI

Item No: 2021689

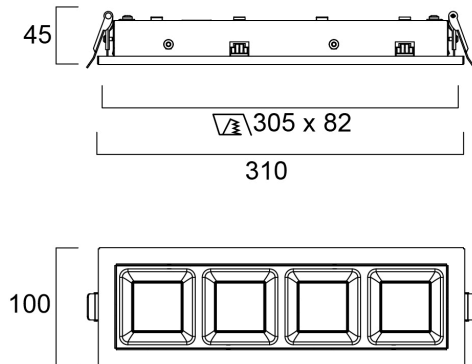
Concord



OPTIX RECESSED 4 CELLS 3000K ALU DALI is a high efficacy low glare luminaire for office and education applications. Ceiling recessed 310x100 mm. Aluminised plastic extra low glare optics. White RAL9016 fixture body. DALI dimmable. 3000K Warm White LED, CRI>80, chromaticity tolerance of 3-step MacAdam ellipse. Luminous flux 962lm. Power consumption 8.5W. Luminaire efficacy 113lm/W. 42,000hrs L90B10 lifespan. UGR<18, Luminance at 65°<3000 Cd/m<sup>2</sup>, IK07, IP20. Photobiological safety risk group 1. Electrical protection Class I. Glow wire test 850°C.

## Technical Assets

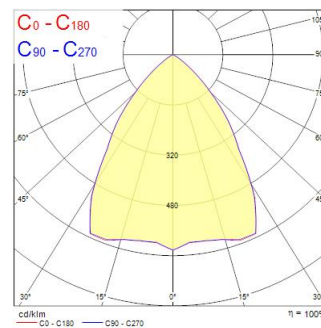
### Dimensions (mm)



### Photometrics

Distance [m]	Cone diameter [m]	Beam diameter [m]	Beam diameter [m]	Illuminance [lx]
0.5	0.78	0.78	0.78	234
1.0	1.56	1.56	1.56	59
1.5	2.34	2.34	2.34	39
2.0	3.11	3.11	3.11	29
2.5	3.89	3.89	3.89	24
3.0	4.67	4.67	4.67	21

Distance [m] Cone diameter [m] Illuminance [lx]  
 — C0 - C180 (Half beam angle: 75.8°)



# OPTIX RECESSED 4 CELLS 3000K ALU DALI

Item No: 2021689

Concord

## General data

Product name	OPTIX RECESSED 4 CELLS 3000K ALU DALI
Technology	LED
Cap/Base	N/A
Housing	Steel
Mount	Ceiling recessed mounting
Built in presence detector	NONE
Fixture rating	Enclosed
General application	Office, Education
Operating temperature range (°C)	10°C...+25°C
Performance ambient temperature Tq (°C)	25
Virtual assistant compatibility	N/A
ETIM Class	EC002892
Warranty	5 years

## Optical data

Fixture luminous flux (lm)	962
Luminaire efficacy (lm/W)	113
Correlated colour temperature (k)	3000
Light colour	Warm White
CRI (Ra)	80
Colour Variation Initial (SDCM)	SDCM3
Distribution type	Symmetric
Glare control	< 19
Photobiological Risk Group	RG1

## Electrical data

Emergency type	
Total power consumption (W)	8.5
Primary Supply/Product voltage - min (V)	220
Primary Supply/Product voltage - max (V)	240
Lamp power factor	0.89
THD (at 230 V, 50 Hz, full load, at 100% dimming level) ≤ xx.x %	6.5
Electrical protection	Class I
Control gear required	No
Control gear type	LED driver constant current
Dimmable	Yes
Dimming method	DALI
Minimum dimming level (%)	1
Drive current (mA)	150
Energy Efficiency Class (A->G) of contained light source	D
Nominal Frequency (Hz)	50/60Hz
LED Flickering Rate	Ultra low (5% or less)
Max. products per 10A C Breaker	100
Max. products per 13A C Breaker	130
Max. products per 16A C Breaker	160
Max. products per 20A C Breaker	200
Max. products per 10A B Breaker	100
Max. products per 13A B Breaker	130
Max. products per 16A B Breaker	160
Max. products per 20A B Breaker	200
Connectable conductor cross section - Min (mm <sup>2</sup> )	0.75
Connectable conductor cross section - Max (mm <sup>2</sup> )	2.5

## Lifetime data

Lifespan L70 B50	120000
Lifespan L80 B20	96500
Lifespan L90 B10	42000

# OPTIX RECESSED 4 CELLS 3000K ALU DALI

Item No: 2021689

Concord

## Physical data

Housing colour	RAL 9016 - Traffic white / Bezel
IP rating	IP20
IK rating	IK07
Diffuser finish	Matt/satinized
Diffuser material	PC Polycarbonate
Reflector finish	High-gloss
Nominal Product Length (mm)	310
Nominal Product Width (mm)	100
Nominal Product Height (mm)	45
Weight (kg)	0.69

## Packaging

Product EAN number	5025768216895
Packaging single length / height (cm)	36.5
Packaging single width (cm)	18.2
Packaging single depth (cm)	6.0
DUN14 (inner)	05025768216895
Units per outer package	1
Packaging outer length / height (cm)	36.5
Packaging outer width (cm)	18.2
Packaging outer depth (cm)	6.0

## Safety data

Glow Wire Test (°C)	850
Optimal operating condition (°C)	10-25