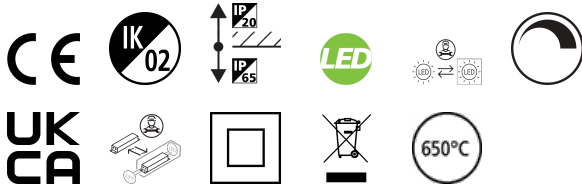


# Myriad Square IP65 Flood 3K DALI BLKREF WBEZ

Item No: 2056408

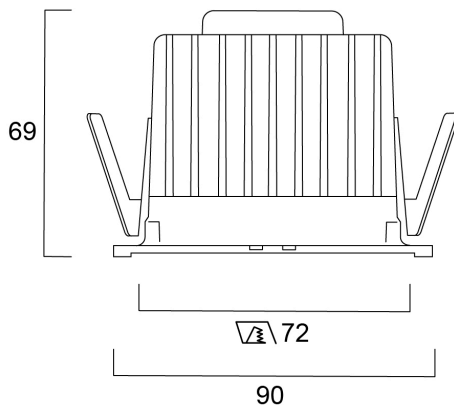
## Concord



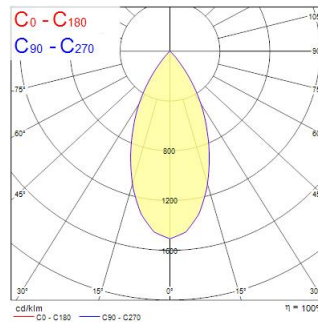
MYRIAD SQUARE IP65 FLOOD 3000K DALI BLACK REFLECTOR WHITE BEZEL

## Technical Assets

### Dimensions (mm)



### Photometrics



# Myriad Square IP65 Flood 3K DALI BLKREF WBEZ

Item No: 2056408

## Concord

### General data

Product name	Myriad Square IP65 Flood 3K DALI BLKREF WBEZ
Technology	LED
Cap/Base	N/A
Housing	Aluminium
Mount	Ceiling recessed mounting
Built in presence detector	NONE
Environment	Interior
General application	Hospitality, Office, Residential & Consumer, Retail
Operating temperature range (°C)	25°C...+25°C
Performance ambient temperature Tq (°C)	25
Virtual assistant compatibility	N/A
ETIM Class	EC001744
Warranty	5 years

### Optical data

Fixture luminous flux (lm)	1165
Luminaire efficacy (lm/W)	117
LOR (%)	100
Correlated colour temperature (k)	3000
Light colour	Warm White
CRI (Ra)	90
Colour Variation Initial (SDCM)	SDCM3
Adjustable chromaticity	N
Beam Angle (°)	48
Distribution type	Symmetric
Photobiological Risk Group	RG1

### Electrical data

Emergency type	
Total power consumption (W)	10
Supply current (A)	5
Primary Supply/Product voltage - min (V)	230.0
Primary Supply/Product voltage - max (V)	240.0
Lamp power factor	0.9
THD (at 230 V, 50 Hz, full load, at 100% dimming level) ≤ xx.x %	30
Electrical protection	Class II
Control gear type	LED driver constant current
Dimmable	Yes
Dimming method	DALI-2, Switch-dim (mains-rated)
Drive current (mA)	250
Inrush Current (A)	30
Inrush Duration (µs)	5
Energy Efficiency Class (A->G) of contained light source	E
Nominal Frequency (Hz)	50/60Hz
Max. products per 10A C Breaker	30
Max. products per 16A C Breaker	30

### Lifetime data

Lifespan L70 B50	100000
Lifespan L80 B20	100000
Lifespan L90 B10	68500

# Myriad Square IP65 Flood 3K DALI BLKREF WBEZ

Item No: 2056408

Concord

## Physical data

Housing colour	Aluminium
IP rating	IP65/20
IK rating	IK02
Diffuser finish	Diffuse
Diffuser material	PC Polycarbonate
Reflector finish	Not Applicable
Nominal Product Width (mm)	72
Nominal Product Height (mm)	64
Built-in diameter (mm)	76
Weight (kg)	0.95
Recessed Depth (mm)	64

## Packaging

Product EAN number	5025768564088
Packaging single length / height (cm)	17.5
Packaging single width (cm)	15.0
Packaging single depth (cm)	17.5
DUN14 (inner)	05025768564088
Units per outer package	1
Packaging outer length / height (cm)	17.5
Packaging outer width (cm)	15.0
Packaging outer depth (cm)	17.5

## Safety data

Glow Wire Test (°C)	650
Optimal operating condition (°C)	25-25